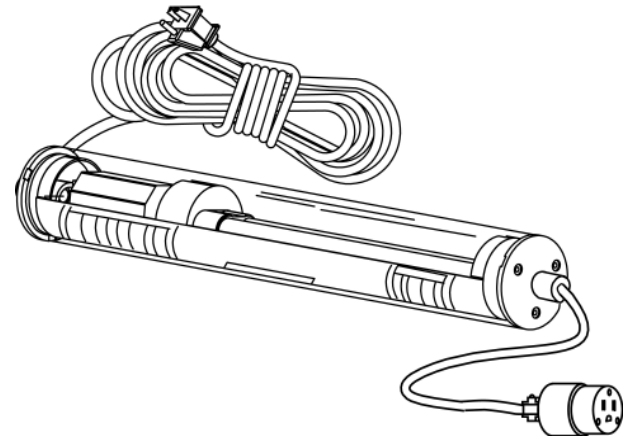
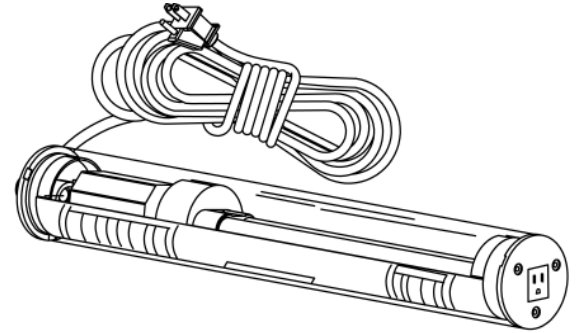


NOTES



**WARRANTY AND
INSTRUCTION MANUAL
FOR 50 WATT 120V PLL
INDUSTRIAL
STRING LITE**

WARNING: When using outdoor use portable luminaires, basic safety precautions should always be followed to reduce the risk of fire, electric shock, and personal injury, including the following:

- (a) Use only three-wire outdoor extension cords that have three-prong grounding plugs and grounding receptacles that accept the appliance's plug.
- (b) Ground Fault Circuit Interrupter (GFCI) protection is to be provided on the circuit(s) or outlet(s) to be used for the wet location portable luminaire. Receptacles are available having built-in GFCI protection and are able to be used for this measure of safety.
- (c) Use only with an extension cord for outdoor use, such as an extension cord of cord type SW, SW-A, SOW, SOW-A, STW, STW-A, STOW, STOW-A, SJW, SJW-A, SJOW, SJOW-A, SJTW, SJTW-A, OR SJTOW, SJTOW-A.

Read All Instructions

One Year Warranty

This new light was thoroughly tested and inspected and found to be in perfect working order before leaving our factory. If within one year from the date of purchase, any part of this worklight proves to be defective in material or workmanship, such defective part will be repaired or replaced (company option) free of charge, at our factory. The company's liability in all events is limited to the purchase price paid.

The warranty does not apply to the fluorescent lamp nor does it apply to damage, alteration, misuse or abuse not attributed to General Manufacturing, Inc., its representatives, dealers or their employees. This warranty does not apply if the product is mishandled or operated at a voltage exceeding, that shown on the product.

General Manufacturing, Inc. has made a diligent effort to illustrate and describe the products in its literature accurately, however such illustrations and descriptions are for the sole purpose of identification and do not express or imply a warranty that the products will necessarily conform to the illustrations or descriptions.

When returning product for warranty repair, please provide: a brief description of your problem and your return address.

SAVE ALL INSTRUCTIONS

GENERAL MANUFACTURING, INC.

1100 S. MORGAN ST.
BLUFFTON, IN 46714
PHONE: (260) 824-3440
FAX: (260) 824-3448

Care & Operation of your New 50W 120V PLL Industrial String Lite

CAUTION: Note Caution Labels on Lighthead

1. Inspect cord regularly for damage and replace if necessary for user safety.
2. Do not submerge fixture in liquids.
3. Do not use in areas requiring explosion-proof fixtures.
4. Disconnect light from power source before relamping.
5. Do not hang fixture by electrical cord. Use manufacturer's hooks or mounting brackets.
6. Take care not to bend or drop fixture - damage may result to lamp.
7. Power supply cord is UL listed and meets OSHA requirements for grounding of hand held tools.
8. When used in wet locations, a GFCI must be provided.

OPERATION & MAINTENANCE

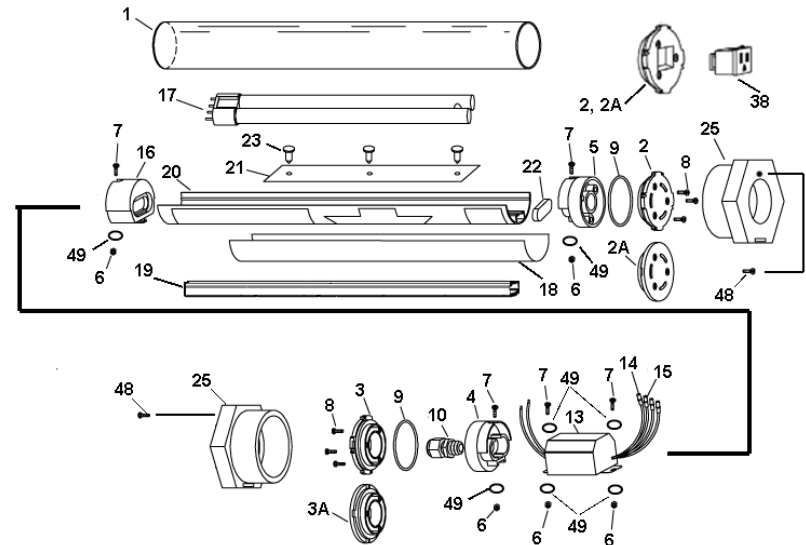
1. Plug the unit into a 120 VAC outlet. The power supply cord is UL listed and meets OSHA standards.
2. Disconnect the power supply before servicing.
3. Keep the unit free from grease and dirt by using a damp cloth with mild detergent or waterless hand cleaner.
4. Do not use solvents such as gasoline to clean unit or cord as it makes the parts brittle.

RELAMPING INSTRUCTIONS

Note: for relamping instructions, refer to label located inside the outer tube of the fixture. Note: When ordering replacement parts, please furnish light model number located on label of light.

Note: We recommend you use **ONLY** original replacement parts.

Parts - 50W 120V PLL Industrial String Lite



Parts List - 50W 120V PLL Industrial String Lite

Item	Part No.	Description	Item	Part No.	Description
1	5000-0224	Outer tube tough shield	28	5000-0277	Switch plate, 2 pc
	5000-0546	Outer tube chem shield	29	5000-0278	Switch, on/off
	5000-0590	Outer tube chip shield (glass) includes 2 rubber spacers	30	5000-0563	Switch, rubber boot
*2	5000-0886	Endplug, locking, (tool tap)	31	5000-0280	Mounting bracket
2A	5000-0594	Endplug, (tool tap)	5000-1175	Mounting bracket - chip shield	
*3	5000-0295	Endplug, cord, locking, pwr beyond	32	5000-0280	Plastic hook
3A	5000-0231	Endplug, cord & power beyond	33	5000-0283	Spacer, hook bracket
4	5000-0232	Innerplug, cord	34	5000-0284	Clamp hook bracket
5	5000-0595	Innerplug, FM & cord power beyond	35	5000-0285	10 x 24 x 1 1/4 SS mach screw
5A	5000-0592	Innerplug, corded power beyond	36	5000-0286	10-24 SS hex nut
6	5000-0234	10-24 hex nut	37	5000-0289	Hook bracket
7	5000-0235	10-24 x 1/2" pan head screw	38	5000-0593	"Pwr beyond" receptacle
8	5000-1265	10-32 x 1-1/4" SS screw w/washers	39	5000-6312	1' 16/3 "Power beyond", yellow
9	5000-0237	O-ring 1-7/8" ID	5000-6235	1' 16/3 "Power beyond", black	
10	5000-0238	Strain relief	41	5000-0291	Pop rivet
11	5000-0238	Ring terminal #10 stud	42	5000-1049	82 lb. Magnet
12	5000-0240	Closed end connector	5000-1047	110 lb. Magnet	
13	5166-3664	Ballast includes item 16	43	5000-0292	Washer, #10
14	N/A	Sleeve terminal	44	5000-1077	Magnet mount 82# assy. **
15	5000-0768	Terminal, lamp pin	5000-1078	Magnet mount 110# assy. **	
16	5000-0911	Socket - PLL lamp	5000-1222	Magnet mnt 82# assy., glass **	
17	5000-2080	Lamp, PLL 50 watt	5000-1223	Magnet mnt 110# assy., glass **	
18	5000-0247	Plastic reflector	45	5000-0591	Inline switch & housing assy. **
19	5000-1228	Nutrail backbone (optional)	46	5000-1055	Vertical hook assy. **
20	5000-0252	Aluminum backbone (with labels)	47	5000-1056	Horizontal hook assembly **
21	5000-0255	Aluminum reflector, white	48	5000-0748	End cap locking screw
22	5000-0256	Lamp, cushion - PLL	49	5000-1156	#10 Star washer
23	5000-0257	Retainer button, reflector	50	5000-1062	Bracket Assy. for plastic tubes**
24	5000-6020	25' 16/3 cordset, yellow	51	5000-1088	Bracket Assy. for glass tubes**
	5000-6015	25' 16/3 cordset, black	52	5000-1125	Hook Assy. #2, horizontal
	5000-6311	6.5' yel cordset w/in-line switch	53	5000-1293	6-32 x 3/4 ss mach. Screw
25	5000-0275	End cap, yellow	54	5000-1294	10-24 x 1 ss mach. Screw
26	N/A		55	5000-1295	6-32 ss hex locknut
27	5000-0276	Switch housing	56	5000-1296	Hook bracket #2

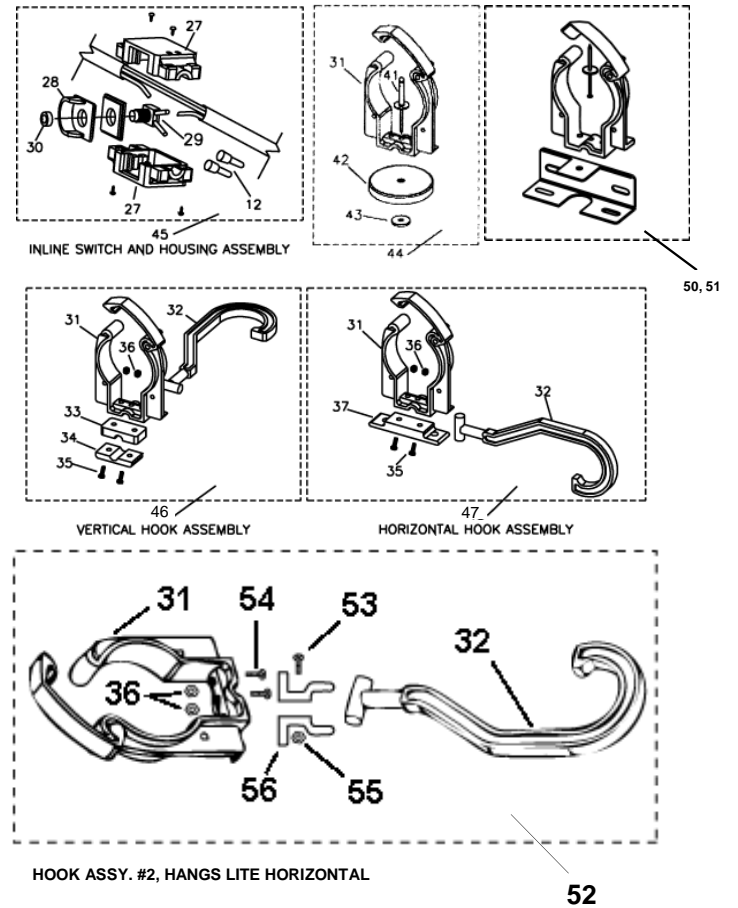
*To be used with item #25

*Please supply part # when ordering.

** Options (see diagrams on page 4)

Note: other lengths are available for item #24

50W 120V PLL String Lite Parts - Options



Parts - 50W 120V PLL Industrial String Lite

