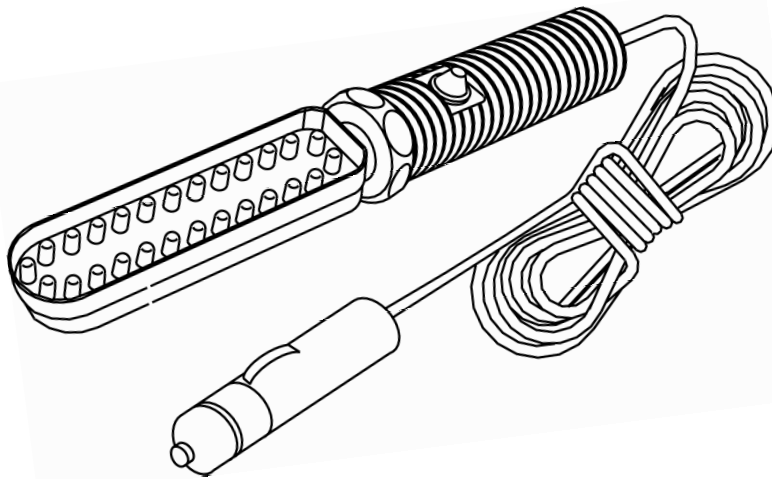


**SAFETY LINE®**

**GLD ZONE™**  
Leak Detection Products



26 LED 12VDC  
UV BLACKLIGHT

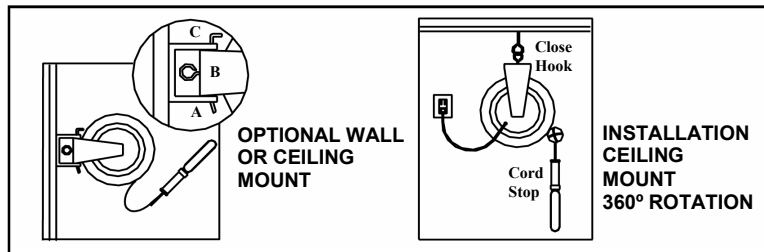
WARRANTY AND  
INSTRUCTION MANUAL

# Care & Operation of your New 26 LED UV Blacklight

## **CAUTION**

1. Inspect cord regularly for damage and replace if necessary for user safety.
2. Do not submerge.
3. When hanging reel models on ceiling:
  - By Hook: Close hook with pliers to prevent reel from coming down.
  - By Bracket Pin: With reel in place, bend end of "L" shaped pin to prevent pin falling out.
  - Read mounting instructions carefully before installing.
4. Use in covered areas out of rain and weather.
5. Do not use in applications where liquid can run into or find its way into the face of the LED lamp.

## **MOUNTING INSTRUCTIONS FOR MODELS WITH REEL**



1. Select location within 2 feet of an electrical outlet.
  2. Attach U shaped bracket "A" to solid part of the wall or ceiling using screws (provided).
  3. Place hanger bracket "B" inside U shaped bracket "A" lining up small holes in brackets.
  4. Insert locking pin "C" through lined-up holes. Be sure to bend the end of locking pin as shown.
1. Select location within 2 feet of an electrical outlet.
  2. Screw the hanger hook securely into the ceiling. Hook must screw into wood frame behind drywall.
  3. Hang reel on hook.
  4. Close hook with pliers to prevent reel from coming off. Refer to point "A".
  5. Adjust cord stop so light or outlet hangs at desired length when cord is retracted.

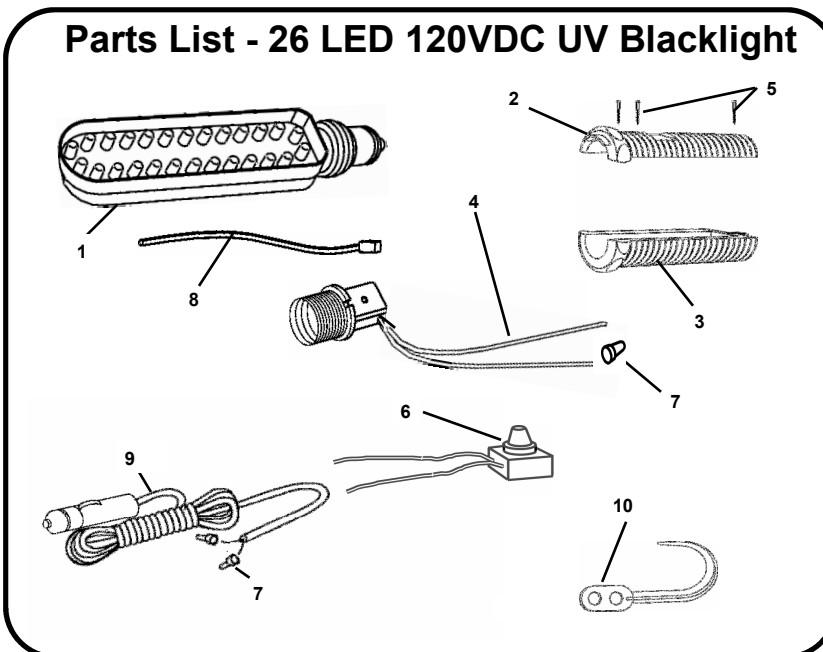
## **OPERATION & MAINTENANCE**

1. Connect the unit to a 12 VDC power source.
2. Disconnect the power supply before servicing.
3. Keep the unit free from grease and dirt by using a damp cloth with mild detergent or waterless hand cleaner.
4. Do not use solvents such as gasoline to clean unit or cord as it makes the parts brittle.
5. Caution: Do not look at UV lamp for extended period. Always wear UV protective glasses when using light.

## RELAMPING INSTRUCTIONS

- Step I Disconnect the power supply (unplug).  
 Step II To install or remove lamp from handle, turn by the collar at the base of the lamp. Do not use the lamphead to turn as it may cause damage.

**Note:** We recommend you use **ONLY** original replacement parts.



Item	Part No.	Description	Qty Required
1	5000-2190	26 LED Lamp 12 volt	1
2	5000-0876	Handle-26 LED - side 1 (w/ switch hole) SVT	1
3	5000-0865	Handle-26 LED - side 2 SVT	1
4	5000-0745	Lamp socket	1
5	5000-0748	Screw, Handle (incl. w/ no. 2)	3
6	5000-0746	Switch Assembly w/ Rubber Boot	1
7	5000-0400	Connector, closed end, Insulated	5
8	5000-0747	8" Nylon tie (strain relief)	1
9	5000-6227	Cord assy. 20' 18/2 SVT, black w/battery clamps	1
	5000-6228	Cord assy. 20' 18/2 SVT, black w/cigar plug	1

**CAUTION, IMPORTANT SAFETY INSTRUCTIONS** - This portable lamp has a polarized plug (one blade is wider than the other) as a feature to reduce the risk of electric shock. This plug will fit in a polarized outlet only one way. If the plug does not fit fully in the outlet, reverse the plug. If it still does not fit, contact a qualified electrician. Never use an extension cord unless plug can be fully inserted. Do not alter the plug.

**“ATTENTION, INSTRUCTIONS IMPORTANTES DE SÉCURITÉ** Cette lampe portative a une fiche polarisante ( une lame est plus grande que l' autre) comme caractéristique pour reduire le risque de choc électrique cette fiche n' engage q' une prise polarisante. Si la fiche n' engage pas complètement la prise, alors renverser la, si elle n' engage toujours pas, metter vous en rapport avec un electricien qualifié. Ne jamais utiliser avec un prolongateur si la fiche n' engage pas complètement . Ne changer pas la fiche.”

## 90 Day Warranty

This worklight was thoroughly tested and inspected and found to be in perfect working order before leaving our factory. If within 90 days from the date of purchase, any part of this unit proves to be defective in material or workmanship, such defective parts will be repaired or replaced (company option) free of charge. The company's liability in all events is limited to the purchase price paid.

The individual LED's are warranted for one year against defects in workmanship and material. The warranty does not apply to damage from power surges, connection to wrong power source, alteration, misuse or abuse, not attribute to the manufacturer, representatives, dealers, or their employees.

Illustrations and descriptions are for the sole purpose of identification and do not express or imply a warranty that the products will necessarily conform to the illustrations or descriptions.

When returning product for warranty repair , please provide : from whom purchased, date of purchase, attached receipt or invoice number.

## KEEP THIS MANUAL

If this Worklight malfunctions or is in need of repairs, send to:

**GENERAL MANUFACTURING, INC.**

1100 S. MORGAN ST.  
BLUFFTON, IN 46714  
PHONE: (260) 824-3440  
FAX: (260) 824-3448

**DO NOT return to place of purchase, they are not authorized to accept used or damaged units.**