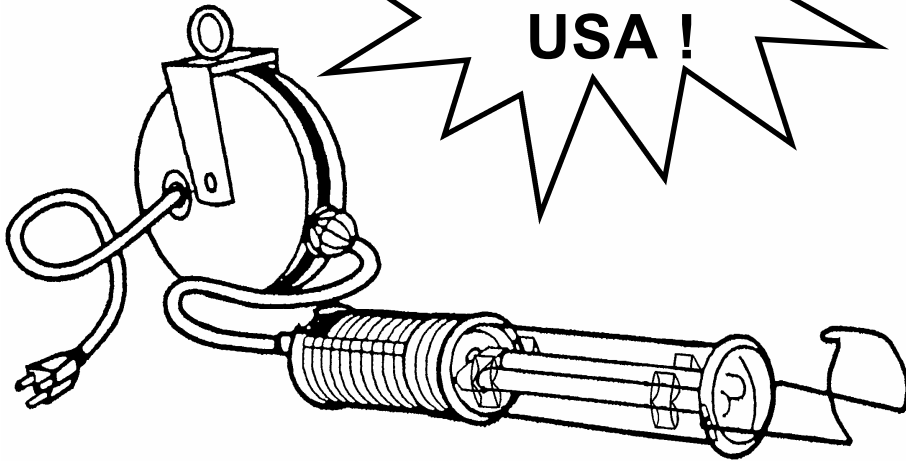


**THE LINE**®

Patent #5,975,719

**MADE IN  
USA!**



**By: General Mfg., Inc.  
1100 S. Morgan St.  
Bluffton, IN 46714  
Phone: 260-824-3440  
Fax: 260-824-3448**

# Care and Operation of Your New Fluorescent Utility Light

---

Read this manual before attempting to operate or service this unit.

## **CAUTION**

1. Inspect cord regularly for damage and replace if necessary for user safety.
2. Do not submerge.
3. When hanging reel on ceiling (see bottom of opposite page):
  - By hook: Close hook with pliers to prevent reel from falling down.
  - By Bracket Pin: With reel in place, bend end of "L" shaped pin to prevent pin from falling out.
  - Read mounting instructions carefully before installing.
4. Use in covered areas out of rain and weather.
5. CAUTION, IMPORTANT SAFETY INSTRUCTIONS - This portable lamp has a polarized plug (one blade is wider than the other) as a feature to reduce the risk of electric shock. This plug will fit in a polarized outlet only one way. If the plug does not fit fully in the outlet, reverse the plug. If it still does not fit, contact a qualified electrician. Never use an extension cord unless plug can be fully inserted. Do not alter the plug.

## **"ATTENTION, INSTRUCTIONS IMPORTANTES DE SECURITE**

-CETTE LAMPE PORTATIVE A UNE FICHE POLARISANTE (UNE LAME EST PLUS GRANDE QUE L'AUTRE) COMME CARACTERISTIQUE POUR REDUIRE LE RISQUE DE CHOC ELECTRIQUE. CETTE FICHE N'ENGAGE Q'UNE PRISE POLARISANTE. SI LA FICHE N'ENGAGE PAS COMPLETEMENT LA PRISE, ALORS RENVERSER LA, SI ELLE N'ENGAGE TOUJOURS PAS, METTER VOUS EN RAPPORT AVEC UN ELECTRICIEN QUALIFIE. NE JAMAIS UTILISER AVEC UN PROLONGATEUR SI LA FICHE N'ENGAGE PAS COMPLETEMENT. NE CHANGER PAS LA FICHE."

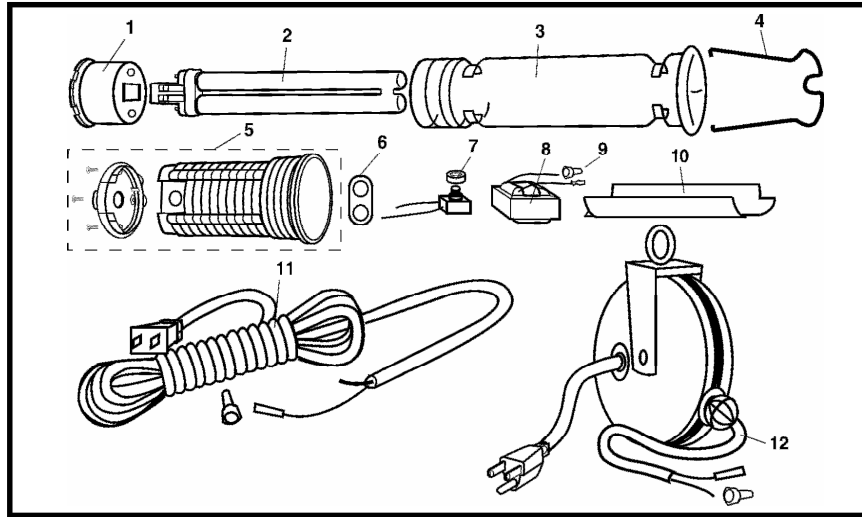
## **OPERATION AND MAINTENANCE**

1. Plug the unit into a 120V AC outlet. The Lite® power supply cord is UL listed and meets OSHA standards.
2. To start, depress and release switch in handle of worklight. The lamp will flicker as the automatic starter lights the lamp. To turn off depress, and release again.
3. **Disconnect the power supply before servicing.**
4. Keep the unit free from grease and dirt by using a damp cloth with mild detergent, or waterless hand cleaner. This removes dirt from scratches in the outer tube and will provide the best light output at all times. If the tube is damaged or badly scratched, it is easily replaced and is available as a replacement part. (see the back page for contact information)
5. Do not use solvents such as gasoline to clean unit or cord as it makes the parts brittle. Do not allow brake fluid to contact the outer tube as it will cause permanent damage.
6. Regular cleaning of cord will prolong cord life.

## **RELAMPING**

**UNPLUG LIGHT BEFORE RELAMPING!** Unscrew outer tube from handle of light and remove. Pull lamp from socket and replace. **Before screwing outer tube back into handle, make sure lamp fits securely inside the outer tube lamp indentations.**

**Note:** Continue to screw the outer tube into the handle until it "clicks" into place.



Description	Part No.	Description	Part No.
-------------	----------	-------------	----------

1. Lampholder	5000-0452	<b>* cord and terminals only, not the reel</b>	
<b>M</b> 2. Lamp - 13 watt	5000-2041	10. Reflector	5000-0457
3. Outer Tube (includes 4 and 10)	5000-0114	11. Cordset - 20'	5000-6065
4. Bail Hook	5000-0453	Cordset - 12'	5000-6069
5. Handle Assembly	5000-0454	Cordset - 18"	5000-6066
6. Strain Relief	5000-0455	12. * Reel Cordset - 20'	5000-6067
7. Switch Assembly	5000-0030	* Reel Cordset - 50'	5000-6068
8. Ballast - 13 watt	5166-3543		



1. Place Handle Bracket on inside of Strapped Bracket. Bring up small holes in the Strapped Bracket.

2. Insert Locking Pin "C" through load-up holes. Be sure to bend the end of locking pin "C" shown.

1. Hang First on Hook.

2. Adjust Cord Stop as light or socket hangs at desired length when cord is retracted.

IN  
UNT  
ON



## **90 Day Warranty**

General Manufacturing Inc. warrants to the purchaser of this new light that it was thoroughly tested and inspected and found to be in perfect working order before leaving our factory. If within 90 days from the date of purchase, any part of this worklight proves to be defective in material or workmanship, such defective part will be repaired or replaced (company option) free of charge, at our factory. The company's liability in all events is limited to the purchase price paid.

The warranty does not apply to the fluorescent lamp nor does it apply to damage, alteration, misuse or abuse not attributed to General Manufacturing, Inc., its representatives, dealers or their employees. This warranty does not apply if the product is mishandled or operated at a voltage exceeding that shown on the reflector.

General Manufacturing, Inc. has made a diligent effort to illustrate and describe the products in its literature accurately, however such illustrations and descriptions are for the sole purpose of identification and do not express or imply a warranty that the products will necessarily conform to the illustrations or descriptions.

When returning product for warranty repair, please provide: a brief description of your problem and your return address.

If this Worklight malfunctions or is in need of repair, send to:

**General Manufacturing, Inc.  
Customer Service Department  
1100 South Morgan Street  
Bluffton, IN 46714**

**Phone: 260-824-3440**

**Fax: 260-824-3448**

**WEBSITE: [www.saftlite.com](http://www.saftlite.com)**

**E-MAIL: [sales@saftlite.com](mailto:sales@saftlite.com)**



**MADE IN USA!**

Form No. 9032-7037 - Rev050803