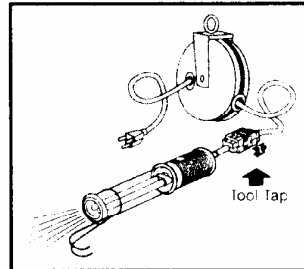


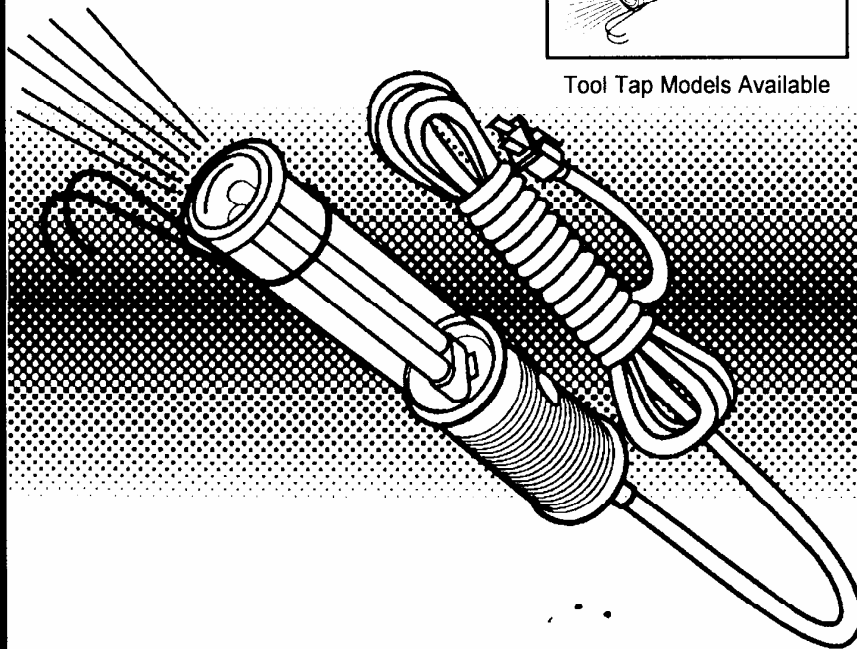
SAFETY LINE®

By General Mfg., Inc.

Available with Scratch
and Chemical Resistant
X-Treme Shield™
Outer Tube.



Tool Tap Models Available



STUBBY II®

Warranty & Instruction Manual

MADE IN THE U.S.A.

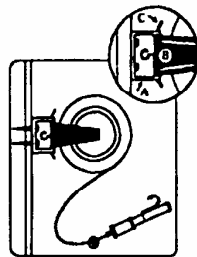


Care & Operation of your New Stubby II® Fluorescent Worklight

CAUTION

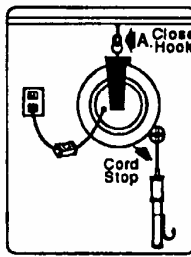
1. Inspect cord regularly for damage and replace if necessary for user safety.
2. Do not submerge.
3. When hanging reel models on ceiling:
 - By Hook: Close hook with pliers to prevent reel from coming down.
 - By Bracket Pin: With reel in place, bend end of "L" shaped pin to prevent pin from falling out.
 - Read mounting instructions carefully before installing.
4. Use in covered areas out of rain and weather.
5. Tool Tap Models:
 - Do not exceed maximum Tool Tap amperage rating of 7 amps.
 - Pull cord all the way out of reel when using the tool tap.

MOUNTING INSTRUCTIONS FOR MODELS with REEL



**OPTIONAL WALL
OR CEILING MOUNT
180° ROTATION**

1. Select location within 2 feet of an electrical outlet.
2. Take U shaped Bracket "A" and attach to solid part of the wall or ceiling with the screws provided.
3. Place Hanger Bracket "B" inside U shaped Bracket "A" lining up small holes in the Brackets.
4. Insert Locking Pin "C" through lined-up holes. Be sure to bend the end of locking pin as shown.



**INSTALLATION
CEILING MOUNT
360° ROTATION**

1. Select location within 2 feet of an electrical outlet.
2. Screw the Hanger Hook securely into the ceiling.
3. Hang Reel on Hook.
4. Close Hook with pliers to prevent Reel from coming off. Refer to point "A".
5. Adjust Cord Stop so light or outlet hangs at desired length when cord is retracted.

OPERATION & MAINTENANCE

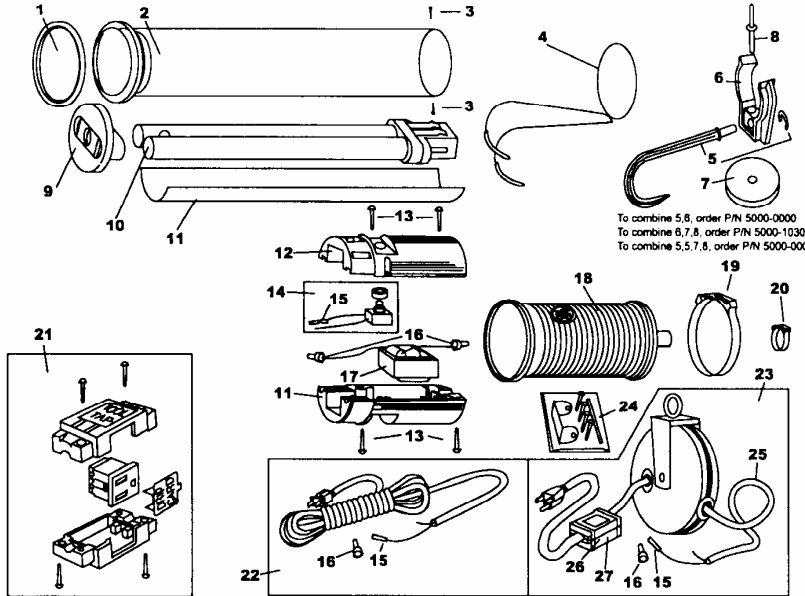
1. Plug the unit into a 120 volt AC outlet. The power supply cord is UL listed and meets OSHA standards.
2. Disconnect the power supply before servicing.
3. Keep the unit free from grease and dirt by using a damp cloth with mild detergent or waterless hand cleaners. This removes dirt from scratches in outer tube and will provide the best light output at all times. If tube is damaged or badly scratched, it is easily replaced and is available as a replacement part.
4. Do not use solvents such as gasoline to clean unit or cord as it makes the parts brittle. Do not allow brake fluid to contact outer tube as it will cause permanent damage.

RELAMPING INSTRUCTIONS

- Step I Disconnect the power supply (unplug).
- Step II Slide cord end cap down.
- Step III Remove screws and slide outer tube assembly off of light fixture.
- Step IV Pull lamp out of socket and replace.
- Step V Reverse steps I-III. Relamping finished.

Note: Your Stubby II® is equipped with a Philips brand PLS-13 13 watt lamp of 4100°K color (cool white). It has gone through an additional process at General Mfg. to make it an "improved impact lamp." We recommend you use ONLY Saf-T-Lite® replacement parts.

STUBBY II® PARTS LIST



NOTE: Complete Replacement Headkits are Available. Please Contact Us For More Information.

Item	Part No.	Description	Item	Part No.	Description
1	5000-0411	Bumper	18	5000-0418	End cap, sm. yellow (18 ga.SVT)
2	5000-0158	Welded tube assembly (items 1,2,9)		5000-0419	End cap, med. yellow (18 ga. SJTOW)
	5000-0955	X-Treme Shield tube assy (Items 1,2,9)		5000-0478	End cap, lrg. yellow (16 ga. SJTO)
	5000-0412	Welded tube assembly (items 2,9)	19	5000-0479	Watertight clamp, lg. (for sealing @ tube)
	5000-0759	X-Treme Shield tube assy (Items 2,9)	20	5000-0480	Watertight clamp, sm.(for sealing @ cord)
	5000-0031	Welded tube assembly (items 1,2,9,11)	21	5000-0016	Tool Tap assembly, yellow, 18 ga. cord
	5000-0885	X-Treme Shield tube assy (Items 1,2,9,11)		5000-0017	Tool Tap assembly, yellow, 16 ga. cord
3	5000-0402	Screw, finish	22	5000-6082	Cordset assembly,25',18/2 SJTOW, ylw
4	5000-0460	Hook, twin spring steel, with tips		5000-6084	Cordset assembly,25',16/3 SJTOW, ylw
5	5000-0471	Hook, with clip		5000-6088	Cordset assembly,25',16/3 SJTOW, blk
6	5000-0040	"M" grip, less magnet		5000-6085	Cordset assembly,50',18/2 SJTOW, ylw
7	5000-1065	Magnet, 58#		5000-6087	Cordset assembly,50',16/3 SJTO, blk
8	5000-0470	Pop Rivet	23	5000-6089	Reel assembly, 20',18/2 SVT, blk
9	5000-0413	Lamp Cushion (included with item 2)		5000-6090	Reel assembly, 40',18/2 SJTOW, ylw
10	5000-2003	Lamp, PL-13W/41	24	5000-0653	Mounting hardware, 20' reel
11	5000-0476	Reflector, Stubby II		5000-0654	Mounting hardware, 40' reel
12	5000-0415	Lamp socket,sm.,18/2 SVT cord	25	5000-6096	Reel cordset, 20',18/2 SVT, blk
	5000-0416	Lamp socket,med.,(18/2 & 18/3 SJTOW cord)		5000-6093	Reel cordset, 35',18/2 SJO, blk
	5000-0425	Lamp socket,lrg., 16/3 SJTO cord		5000-6094	Reel cordset, 35',18/3 SJO, blk
13	- - - -	Screw (included with item 12)		5000-6091	Reel cordset, 40',18/2 SJTOW, ylw
14	5000-0477	Switch assembly (includes item 15)		5000-6092	Reel cordset, 40',18/3 SJTOW, ylw
15	5000-0050	Pin terminal, female	26	5166-3544	Ballast box, small for 18/3 SVT
16	5000-0400	Connector, closed-end, insulated		5166-3550	Ballast box, large for 16/3 SJTOW
17	5166-3545	Ballast, 13 watt, for units w/switch (ballast in handle on both models)	27	5166-3516	Ballast (for models w/ballast at the reel)
	5166-3546	Ballast, 13 watt, for units less switch			End cap, sm. yellow (18ga. SVT)
18	2				

CAUTION, IMPORTANT SAFETY INSTRUCTIONS - This portable lamp has a polarized plug (one blade is wider than the other) as a feature to reduce the risk of electric shock. This plug will fit in a polarized outlet only one way. If the plug does not fit fully in the outlet, reverse the plug. If it still does not fit, contact a qualified electrician. Never use an extension cord unless plug can be fully inserted. Do not alter the plug.

“ATTENTION, INSTRUCTIONS IMPORTANTES DE SÉCURITÉ Cette lampe portable a une fiche polarisante (une lame est plus grande que l' autre) comme caractéristique pour réduire le risque de choc électrique cette fiche n' engage q' une prise polarisante. Si la fiche n' engage pas complètement la prise, alors renverser la, si elle n' engage toujours pas, mettre vous en rapport avec un electricien qualifié. Ne jamais utiliser avec un prolongateur si la fiche n' engage pas complètement. Ne changer pas la fiche.”

90 Day Warranty

This Worklight was thoroughly tested and inspected and found to be in perfect working order before leaving our factory. If within 90 days from date of purchase, any part of this unit proves to be defective in material or workmanship, such defective part will be repaired or replaced (company option) free of charge. The company's liability in all events is limited to the purchase price paid.

The warranty does not apply to the fluorescent lamp (or the FS-2 starter, if applicable) nor does it apply to damage, alteration, misuse or abuse not attributed to the manufacturer, representatives, dealers or their employees. This warranty does not apply if the product is mishandled or operated at a voltage exceeding that shown on the reflector. This warranty pertains to any Worklight that may be termed by manufacturers, as a service unit.

Illustrations and descriptions are for the sole purpose of identification and do not express or imply a warranty that the products will necessarily conform to the illustrations or descriptions.

When returning product for warranty repair, please provide: from whom purchased, date of purchase, and attach receipt or give invoice number.

KEEP THIS MANUAL

If this Worklight malfunctions or is in need of repairs, send to:

CUSTOMER SERVICE DEPARTMENT

1100 SOUTH MORGAN STREET

BLUFFTON, IN 46714

Phone: 260-824-3440 Email: sales@safllite.com

DO NOT return to place of purchase. They are not authorized to accept used or damaged units.

Form # 9032-7000 (09/05)