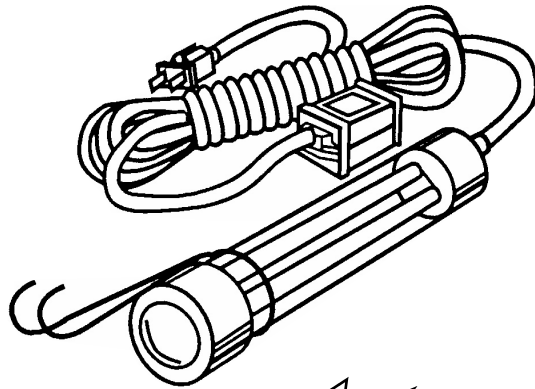
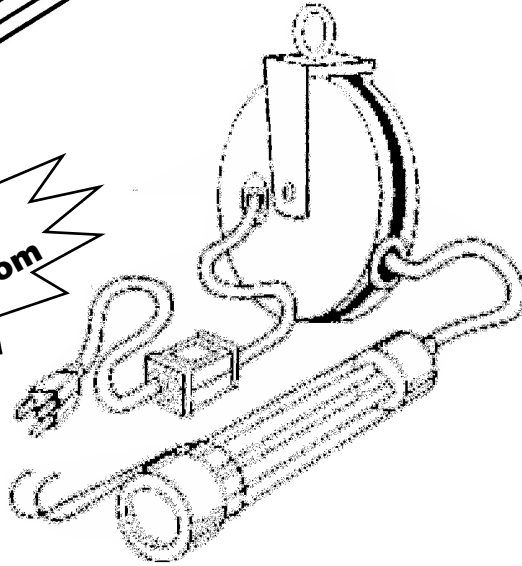


SAFFLITE®

JUBBY®



See us on the
Internet at:
www.safflite.com



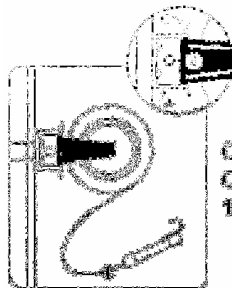
**WARRANTY AND
INSTRUCTION MANUAL**

Care and Operation of Your New Stubby® Fluorescent Worklight

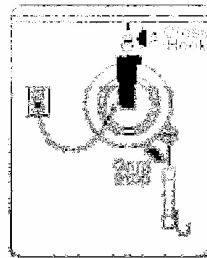
Read this manual before attempting to operate or service this unit

CAUTION

1. Do not use your Stubby® worklight in hazardous areas under UL specifications 335.
2. Inspect cord regularly for damage and replace if necessary for user safety.
3. Do not submerge
4. When hanging reel on ceiling:
 - By Hook: Close hook with pliers to prevent reel from falling down.
 - By Bracket Pin: With reel in place, bend end of "L" shaped pin to prevent pin from falling out.
 - Read mounting instructions carefully before installing. (below)
5. See caution statement regarding the polarized plug on back page.



OPTIONAL WALL
OR CEILING MOUNT
180° ROTATION



INSTALLATION
CEILING MOUNT
360° ROTATION

1. Select location within 2 feet of an electrical outlet.
2. Take U shaped Bracket "B" and attach to solid part of the wall or ceiling; end of screw provided.
3. Place Hanger Bracket "C" inside of shaped Bracket "B". Bring up small holes in the Brackets.
4. Insert Locking Pin "D" through lined-up holes. Be sure to bend the end of locking pin "D" shown.

1. Select location within 2 feet of an electrical outlet.
2. Curve the Hanger Hook around the ceiling.
3. Hang Reel on Hook.
4. Close Hook with pliers to prevent reel from coming off. Refer to page "A".
5. Adjust Cord Stop on light or control length of extended length when used in recessed.

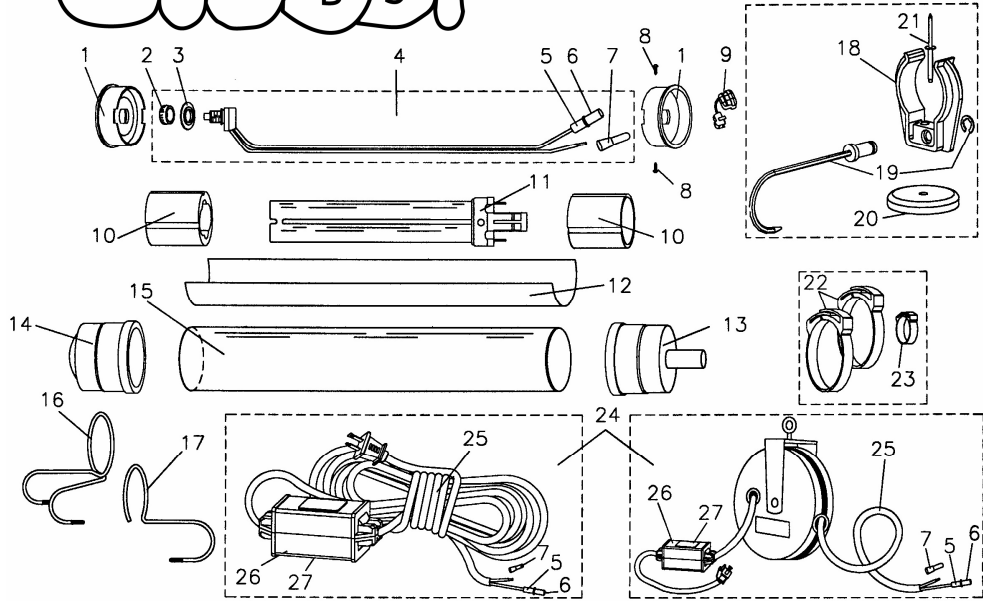
OPERATION AND MAINTENANCE

1. Plug the unit into a 120V AC outlet. The Stubby® power supply cord is UL listed and meets OSHA standards.
2. To start, depress and release switch in handle of worklight. The lamp will flicker as the automatic starter lights the lamp. To turn off depress, and release again.
3. **Disconnect the power supply before servicing.**
4. Keep the unit free from grease and dirt by using a damp cloth with mild detergent, or waterless hand cleaner. This removes dirt from scratches in the outer tube and will provide the best light output at all times. If the tube is damaged or badly scratched, it is easily replaced and is available as a replacement part. (see the back page for contact information)
5. Do not use solvents such as gasoline to clean unit or cord as it makes the parts brittle. Do not allow brake fluid to contact the outer tube as it will cause permanent damage.
6. Regular cleaning of cord will prolong cord life.

LAMP SPECIFICATIONS - Phillips PL13/41

The lamp in your new Stubby® has undergone an additional process to make it an improved impact lamp. We recommend that you use only a genuine Stubby® lamp which can be purchased from an authorized Stubby® dealer.

STUBBY® PARTS LIST AND



m	No.	Part No.	Description	Item	No.	Part No.	Description
	1.	5000-0397	Switch Cap, Commercial	18.	5000-0040	"M" Grip (less magnet)	
	2.	5000-0398	Switch Thumb Nut	19.	5000-0471	Hook Assembly (with clip)	
	3.	5000-0399	Plastic Switch Washer	20.	5000-1065	Magnet, 58#	
	4.	5000-0469	Switch Assembly (includes: 2,3,5,6,7)	21.	5000-0470	Pop Rivet	
	5.	5000-0245	Pin Terminal, Female	22.	5000-0466	Moisture Tight Clamp, Large, Each	
	6.	5000-0244	Sleeve, Female	23.	5000-0467	Moisture Tight Clamp, Small, Each	
	7.	5000-0400	Connector, Closed End Insulated	24.	5000-6076	Cord, 25' Assembly, Black	all items in dotted lines
	8.	5000-0402	Screw		5000-6077	Cord, 25' Assembly, Yellow	
	9.	5000-0403	Strain Relief		5000-6078	Cord, 50' Assembly, Black	
	10.	5000-0404	Lampholder		5000-6079	Cord, 50' Assembly, Yellow	
	11.	5000-2003	Lamp, 13 Watt, Rough Service		5000-6080	Reel, 20' Assembly	cord only L / ballast
	12.	5000-0459	Reflector, Stubby, 120V		5000-6081	Reel, 40' Assembly	
	13.	5000-0408	End Cap, Cord End, Yellow	25.	5000-6070	Cord, 25' SJTO, Yellow	cord only L / ballast
		5000-0464	End Cap, Cord End, Black		5000-6071	Cord, 25' SJTO, Black	
	14.	5000-0462	End Cap, Switch End, Yellow		5000-6072	Cord, 50' SJTO, Yellow	
		5000-0463	End Cap, Switch End, Black		5000-6073	Cord, 50' SJTO, Black	reel only L / ballast
	15.	5000-0465	Outer Tube		5000-6102	Reel Cord, 20' SVT, Black	
	16.	5000-0460	Hanger, Spring Steel, Twin, Yellow Tips		5000-6103	Reel Cord, 40' SJT, Yellow	reel only L / ballast
		5000-0461	Hanger, Spring Steel, Twin, Black Tips	26.	5166-3516	Ballast, 13 watt Stubby	
	17.	5000-0409	Hanger, Steel, Single, Yellow Tips	27.	5166-3544	Ballast Box & Lid (w/4 screws), Y	
		5000-0468	Hanger, Steel, Single, Black Tips		5000-0119	Ballast Box & Lid (w/4 screws), B	

NOTE: Complete Replacement Headkits are Available. Please Call the Phone Number on the Back of this Manual for More Information.

"CAUTION, IMPORTANT SAFETY INSTRUCTIONS - This portable lamp has a polarized plug (one blade is wider than the other) as a feature to reduce the risk of electric shock. This plug will fit in a polarized outlet only one way. If the plug does not fit fully in the outlet, reverse the plug. If it still does not fit, contact a qualified electrician. Never use an extension cord unless plug can be fully inserted. Do not alter the plug."

"ATTENTION, INSTRUCTIONS IMPORTANTES DE SECURITE - CETTE LAMPE PORTATIVE A UNE FICHE POLARISANTE (UNE LAME EST PLUS GRANDE QUE L'AUTRE) COMME CARACTERISTIQUE POUR REDUIRE LE RISQUE DE CHOC ELECTRIQUE. CETTE FICHE N'ENGAGE Q'UNE PRISE POLARISANTE. SI LA FICHE N'ENGAGE PAS COMPLETEMENT LA PRISE, ALORS RENSER LA, SI ELLE N'ENGAGE TOUJOURS PAS, METTER VOUS EN RAPPORT AVEC UN ELECTRICIEN QUALIFIE. NE JAMAIS UTILISER AVEC UN PROLONGATEUR SI LA FICHE N'ENGAGE PAS COMPLETEMENT. NE CHANGER PAS LA FICHE."

RELAMPING INSTRUCTIONS

1. **DISCONNECT THE UNIT FROM ITS POWER SOURCE (UNPLUG).**
2. Lamp will be removed from cord end so it is not necessary to do anything at the switch end.
3. Slide end cap down the cord about 6". Remove the two screws that are now exposed.
4. The lamp assembly will now slide out the end of the tube. To assist in its removal, use a pair of needle nose pliers to grip the square base of the lamp and pull. The bottom lampholder will come out with the lamp.
5. Push the lamp through the lampholder with your thumb against the square base. It **must** go out the front of the lampholder and the new lamp inserted the same way. Be sure the wireways (two grooves in lampholder) are in the same position with respect to the new lamp as they were with the lamp being removed.
6. Insert lamp with lampholder into tube being sure white wires from switch are in the wireway groove. Using your thumb, push lamp and lampholder until it stops. (about 1/4")
7. Re-plug terminal onto pins of lamp. Either terminal can go onto either pin.
8. Re-install end bracket and end cap in the same manner as when they were removed. Re-install the two screws that were taken out in step 3. Re-lamping is now complete

90 Day Warranty

General Manufacturing Inc. warrants to the purchaser of this new light that it was thoroughly tested and inspected and found to be in perfect working order before leaving our factory. If within 90 days from the date of purchase, any part of this worklight proves to be defective in material or workmanship, such defective part will be repaired or replaced (company option) free of charge. The company's liability in all events is limited to the purchase price paid.

The warranty does not apply to the fluorescent lamp nor does it apply to damage, alteration, misuse or abuse not attributed to General Manufacturing, Inc., its representatives, dealers or their employees. This warranty does not apply if the product is mishandled or operated at a voltage exceeding that shown on the reflector. This warranty pertains to any light that may be termed by manufacturers, as a service unit.

General Manufacturing, Inc. has made a diligent effort to illustrate and describe the products in its literature accurately, however such illustrations and descriptions are for the sole purpose of identification and do not express or imply a warranty that the products will necessarily conform to the illustrations or descriptions.

When returning product for warranty repair, please provide: from whom purchased, date of purchase, and attach receipt or give invoice number.

If this Stubby® worklight malfunctions or is in need of repairs, send to:

General Manufacturing, Inc.

1100 S. Morgan St.
Bluffton, IN 46714

Phone: 260-824-3440 • Fax: 260-824-3448 • Internet: www.safllite.com

Form No. 9032-7009 - Rev. 01/17/2002