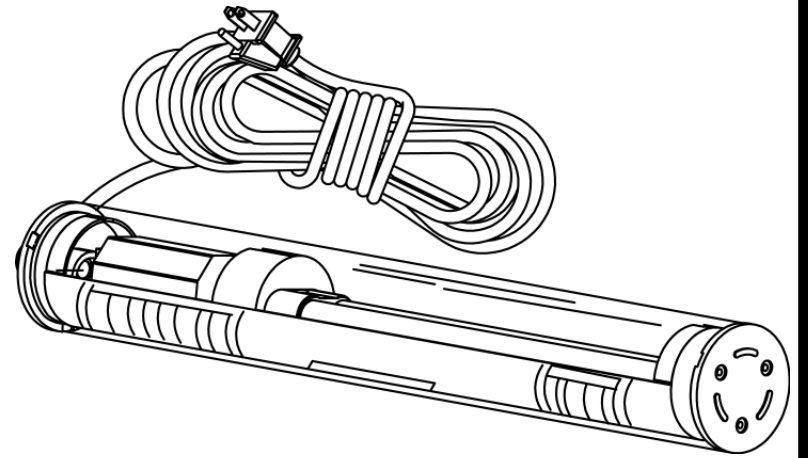


NOTES



**WARRANTY AND  
INSTRUCTION MANUAL  
FOR 50 WATT 120V PLL  
INDUSTRIAL LITE  
(less power beyond)**

**WARNING:** When using outdoor use portable luminaires, basic safety precautions should always be followed to reduce the risk of fire, electric shock, and personal injury, including the following:

- (a) Use only three-wire outdoor extension cords that have three-prong grounding plugs and grounding receptacles that accept the appliance's plug.
- (b) Ground Fault Circuit Interrupter (GFCI) protection is to be provided on the circuit(s) or outlet(s) to be used for the wet location portable luminaire. Receptacles are available having built-in GFCI protection and are able to be used for this measure of safety.
- (c) Use only with an extension cord for outdoor use, such as an extension cord of cord type SW, SW-A, SOW, SOW-A, STW, STW-A, STOW, STOW-A, SJW, SJW-A, SJOW, SJOW-A, SJTW, SJTW-A, OR SJTOW, SJTOW-A.

Read All Instructions

## One Year Warranty

This new light was thoroughly tested and inspected and found to be in perfect working order before leaving our factory. If within one year from the date of purchase, any part of this worklight proves to be defective in material or workmanship, such defective part will be repaired or replaced (company option) free of charge, at our factory. The company's liability in all events is limited to the purchase price paid.

The warranty does not apply to the fluorescent lamp nor does it apply to damage, alteration, misuse or abuse not attributed to General Manufacturing, Inc., its representatives, dealers or their employees. This warranty does not apply if the product is mishandled or operated at a voltage exceeding that shown on the product.

General Manufacturing, Inc. has made a diligent effort to illustrate and describe the products in its literature accurately, however such illustrations and descriptions are for the sole purpose of identification and do not express or imply a warranty that the products will necessarily conform to the illustrations or descriptions.

When returning product for warranty repair, please provide: a brief description of your problem and your return address.

### SAVE ALL INSTRUCTIONS

#### GENERAL MANUFACTURING, INC.

1100 S. MORGAN ST.  
BLUFFTON, IN 46714  
PHONE: (260) 824-3440  
FAX: (260) 824-3448

## Care & Operation of your New 50W 120V PLL Industrial Lite

### CAUTION:

1. Inspect cord regularly for damage and replace if necessary for user safety.
2. Do not submerge fixture in liquids.
3. Do not use in areas requiring explosion-proof fixtures.
4. Disconnect light from power source before relamping.
5. Do not hang fixture by electrical cord. Use manufacturer's hooks or mounting brackets.
6. Take care not to bend fixture excessively - damage may result to lamp.
7. Power supply cord is UL listed and meets OSHA requirements for grounding of hand held tools.
8. Do not drop this fixture as damage may result to the lamp or the outer tube.
9. When used in wet locations, a GFCI must be provided.

### OPERATION & MAINTENANCE

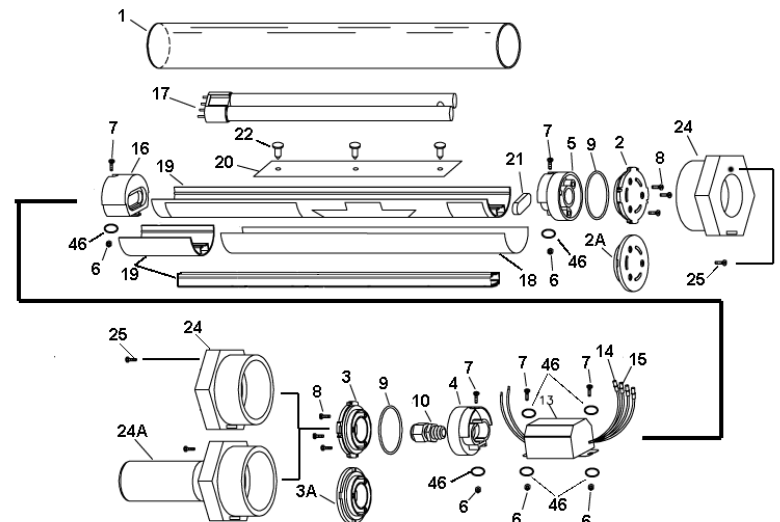
1. Plug the unit into a 120 VAC outlet. The power supply cord is UL listed and meets OSHA standards.
2. Disconnect the power supply before servicing.
3. Keep the unit free from grease and dirt by using a damp cloth with mild detergent or waterless hand cleaner.
4. Do not use solvents such as gasoline to clean unit or cord as it makes the parts brittle.

### RELAMPING INSTRUCTIONS

Note: for relamping instructions, refer to label located inside the outer tube of the fixture. Note: When ordering replacement parts, please furnish light model number located on label of light.

**Note:** We recommend you use **ONLY** original replacement parts.

### Parts - 50W 120V PLL Industrial Lite



## Parts List - 50W 120V PLL Industrial Lite

Item	Part No.	Description	Item	Part No.	Description
1	5000-0224	Outer tube tough shield	25	5000-0748	End cap locking screw
	5000-0546	Outer tube chem shield	26	5000-0276	Switch housing
	5000-0590	Outer tube chip shield (glass) includes 2 rubber spacers	27	5000-0277	Switch plate, 2 pc
***	5000-1001	Outer tube tough shld (inline ballast)	28	5000-0278	Switch, on/off
***	5000-1002	Outer tube chem shld (inline ballast)	29	5000-0563	Switch, rubber boot
*2	5000-0294	Endplug, closed, locking	30	5000-0280	Mounting bracket
2A	5000-0230	Endplug, closed		5000-1175	Mounting bracket - chip shield
*3	5000-0295	Endplug, cord, locking	31	5000-0280	Plastic hook
3A	5000-0231	Endplug, cord	32	5000-0283	Spacer, hook bracket
4	5000-0232	Innerplug, cord	33	5000-0284	Clamp hook bracket
5	5000-0233	Innerplug, closed end	34	5000-0285	10 x 24 x 1 1/4 SS mach screw
6	5000-0234	10-24 hex nut	35	5000-0286	10-24 SS hex lock nut
7	5000-0235	10-24 x 1/2" pan head screw	36	5000-0289	Hook bracket
8	5000-1265	10-32 x 1-1/4" SS screw w/washers	37	5000-0474	Inline ballast box w/ screws
9	5000-0237	O-ring 1-7/8" ID	38	5166-3612	Inline ballast
10	5000-0238	Strain relief	39	5000-0291	Pop rivet
11	5000-0239	Ring terminal #10 stud	40	5000-1049	82 lb. Magnet
12	5000-0240	Closed end connector		5000-1047	110 lb. Magnet
13	5166-3664	Ballast includes item 16	41	5000-0292	Washer, #10
14	N/A	Sleeve terminal	42	5000-1077	Magnet mount 82#, assy.
15	5000-0768	Terminal, lamp pin		5000-1078	Magnet mount 110#, assy.
16	5000-0911	Socket - PLL lamp		5000-1222	Magnet mnt 82# assy., glass
17	5000-2080	Lamp, twin tube		5000-1223	Magnet mnt 110# assy., glass
18	5000-1003	Plastic reflector, STL	43	5000-0591	Inline switch & housing assy. **
19	5000-0252	Aluminum backbone (with labels)	44	5000-1055	Vertical hook assy. **
	5000-1004	Aluminum backbone (ballast inline)	45	5000-1056	Horizontal hook assembly **
	5000-1228	Nutrail backbone (optional)	46	5000-1156	#10 Star washer
20	5000-0255	Aluminum reflector, white	47	5000-1062	Bracket Assy. for plastic tubes
21	5000-0256	Lamp, cushion - PLL	48	5000-1088	Bracket Assy. for glass tubes
22	5000-0257	Retainer button, reflector	49	5000-1125	Hook Assy. #2, horizontal
23	5000-6020	25' 16/3 cordset. yellow	50	5000-1293	6-32 x 3/4 ss mach. Screw
	5000-6015	25' 16/3 cordset. black	51	5000-1294	10-24 x 1 ss mach. Screw
24	5000-0275	End cap, yellow	52	5000-1295	6-32 ss hex locknut
24A	5000-0472	End cap handle, yellow	53	5000-1296	Hook bracket #2

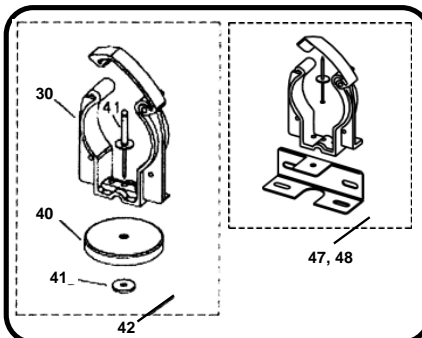
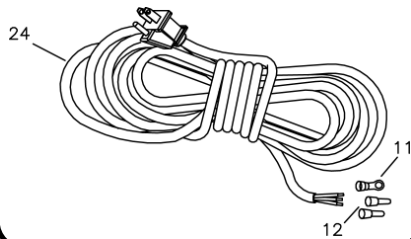
Note: other lengths are available for item #23.

\*To be used with item #24 & #24A

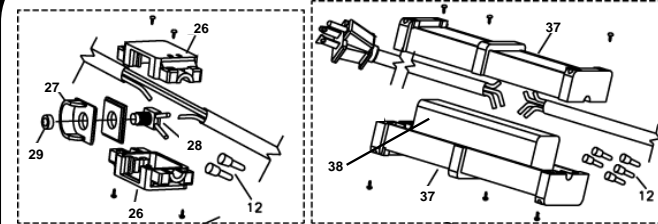
\*\* Options (see diagrams on page 4)  
Magnet Mount assy lower right

\*\*\*Note: For the Inline Ballast Box Option, see item #1 for correct outer tube; and see item #19 for correct backbone.

## Parts - 50W 120V PLL Industrial Lite (cont.)

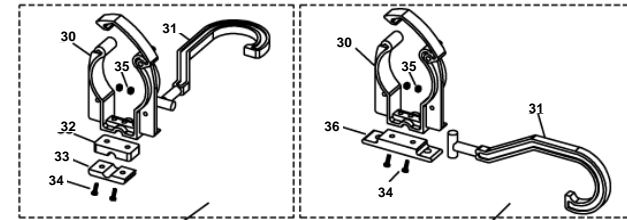


## 50W 120V PLL Parts - Options



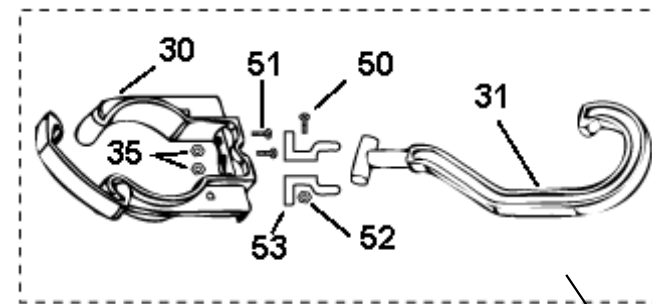
INLINE SWITCH AND HOUSING ASSEMBLY

INLINE BALLAST BOX ASSEMBLY



VERTICAL HOOK ASSEMBLY

HORIZONTAL HOOK ASSEMBLY



HOOK ASSY #2, HANGS LITE HORIZONTAL

49

Note: For the Inline Ballast Box Option, see item #1 for correct outer tube; and see item #19 for correct backbone.