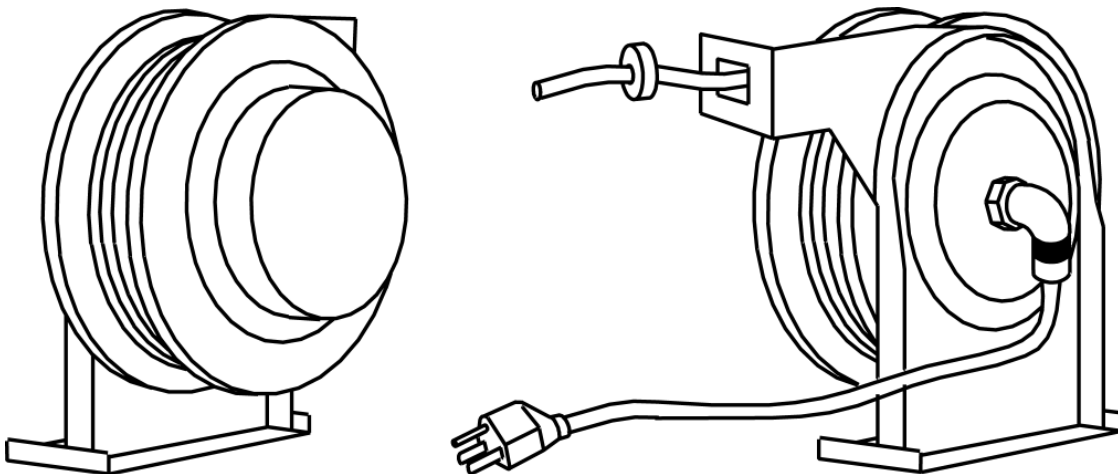




**OPERATING
INSTRUCTIONS
AND PARTS LIST FOR
THE SERIES 5000
CORD REELS**

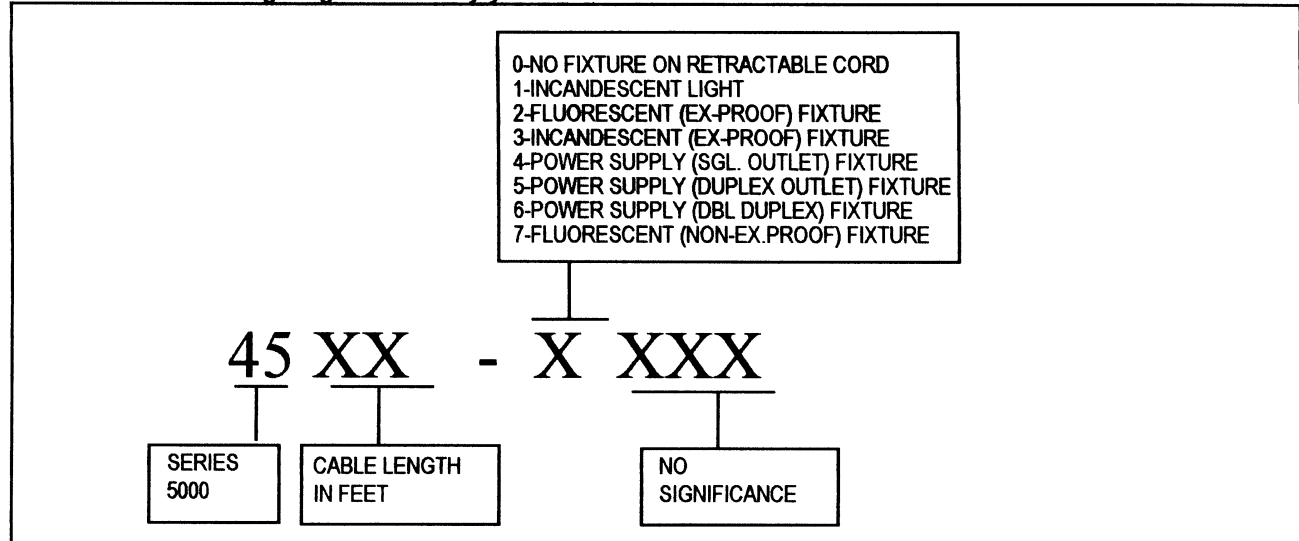


GENERAL MANUFACTURING, INC.
1100 S. MORGAN ST.
BLUFFTON, IN 46714
PHONE: (260) 824-3440
FAX: (260) 824-3448
INTERNET: www.saftlite.com
E-MAIL: sales@saftlite.com

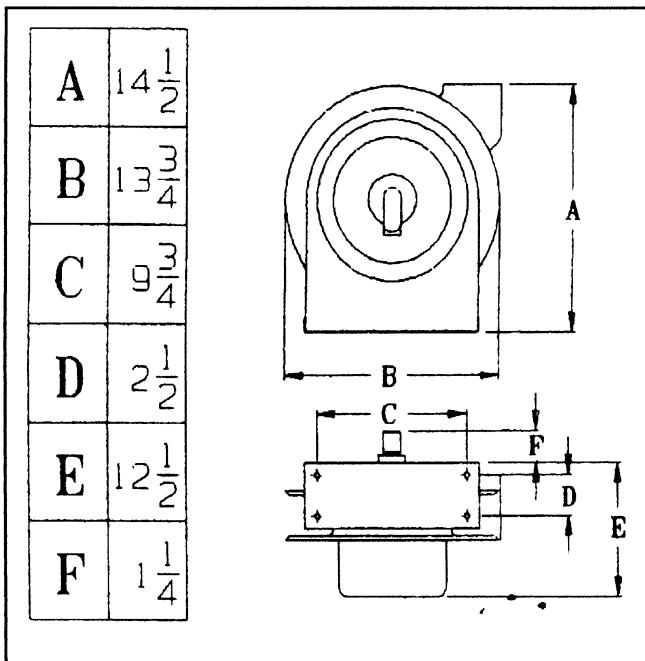
IMPORTANT
READ THIS MANUAL CAREFULLY BEFORE INSTALLING,
OPERATING, OR SERVICING THIS EQUIPMENT

MODEL NUMBER SIGNIFICANCE

A coded model number found on the reel box indicates parameters and characteristics of that particular cord reel. Use the following diagram to verify your reel.



DIMENSIONAL DATA



PERSONAL SAFETY

Personal injury and/or equipment damage may result if proper safety precautions are not observed.

- Ensure that only a qualified electrician installs/ services this equipment.
- Ensure that power supply voltage does not exceed maximum voltage rating of reel.
- Ensure that reel is properly install before connecting to power supply.
- Ensure that all electrical power is removed from reel before servicing.
- A high-tension spring assembly is contained within the reel. Exercise extreme caution.
- Check for frayed and/or broken wires before each use. Pull electrical cord from reel by grasping the electrical cord itself, not the work device.
- If an electrical malfunction should occur, remove power from reel immediately.
- Ensure that reel, electrical cord, and equipment being serviced are properly grounded. Use an ohm meter to check ground continuity.
- If reel ceases to unwind or rewind, remove power immediately. Do not pull or jerk on electrical cord.
- Treat and respect the reel as any other piece of machinery, observing all common safety practices.

INSTALLATION INSTRUCTIONS

CAUTION: Unless reel was specified differently when ordering, maximum installation height is 16 feet. Do not exceed this distance.

Ensure that a qualified electrician installs/services this equipment.

Observe applicable NEC, OSHA, and local codes when installing this equipment.

1. Unpack and inspect the reel for damage. Turn by hand to check for smooth operation. Check for completeness.
2. Configure reel for top, side or bottom-wind (bottom-wind for constant tension reels only) electrical cable dispensing by removing bolts (1) securing guide arm bracket (2) Diagram II.
3. Determine new guide arm bracket location and remove corresponding bolts. Position guide arm to reel and replace bolts.
4. Position reel on floor, wall or ceiling. Secure into place using four (customer supplied) screws or bolts (3) Diagram II.

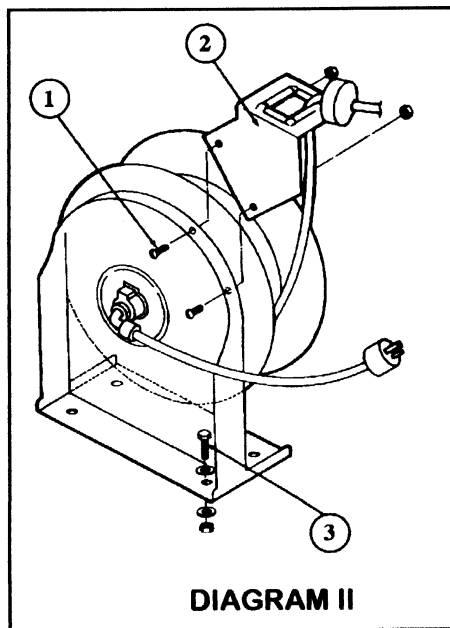
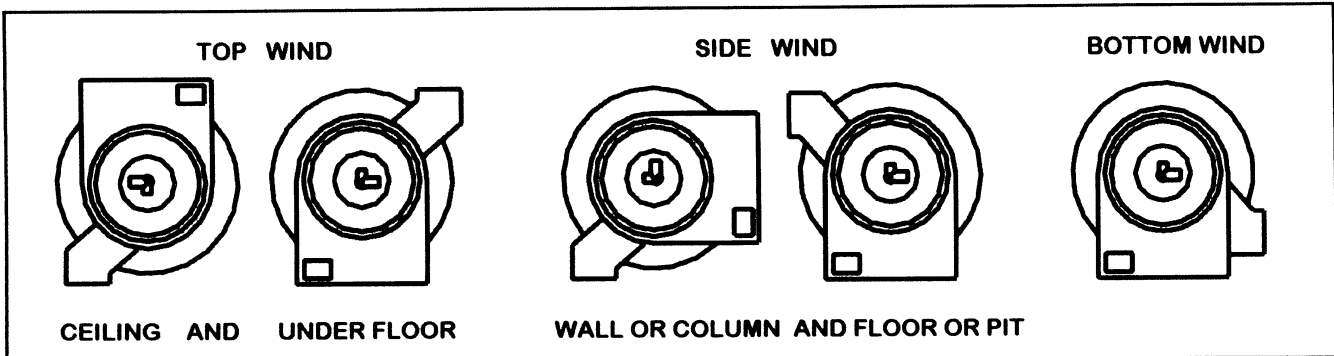


DIAGRAM II

SPRING TENSION ADJUSTMENT

If necessary, adjust spring tension on reel by adding or removing wraps of electrical cord from spool, one wrap at a time, until desired tension is obtained. Add wraps to increase tension. Remove wraps to decrease tension.

WARNING: When adding wraps of electrical cord, be careful not to exceed the winding mechanism's spring capacity. Add just enough wraps of cord to achieve the desired tension. Damage to the winding mechanism will result if spring is over tensioned.

Always be aware of spring tension on reel. Exercise extreme caution.

CAUTION: To eliminate heating and damage to reel cord, pull all cord from reel if electrical load approaches maximum rating.

INDOOR DRY LOCATIONS ONLY

CORD TYPES	AWG	# OF CONDUCTORS	MAX AMPERAGE	VOLTAGE	ENCL. TYPE	MAX. CORD LNGTH
SJT, SJTO. SJO	16	3	13	125	1	50'
	14	3	18	125	1	50'
	12	3	25	125	1	50'
	10	3	25	125	1	50'

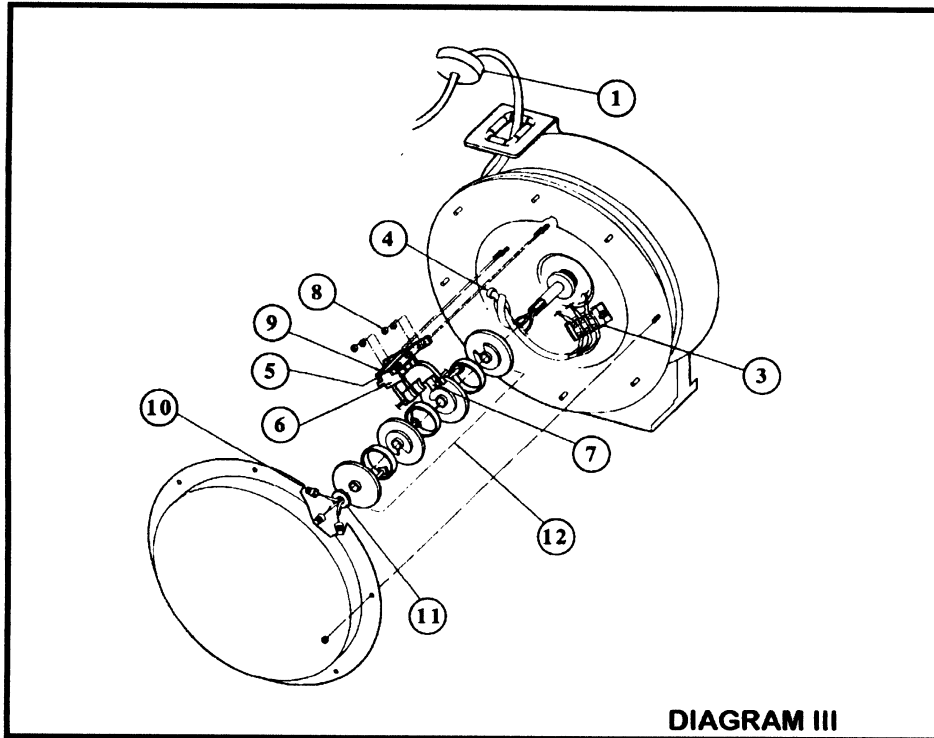


DIAGRAM III

**REPLACING THE ELECTRICAL CORD/
WORK DEVICE (Refer to Diagram III)**

1. Unwind electrical cord from reel until fully extended, then latch.
2. Remove electrical cord bumper (1).
3. Disconnect electrical cord/ work device at terminal strip (3). Record color coding of wires and corresponding terminal strip terminals.
4. Remove strain relief (4). Remove remainder of cord from reel.
5. While facing collector side of reel, turn reel clockwise until spring is tight. Back off three turns, then latch.
6. Route replacement electrical cord/ work device and strain relief (4).
7. Connect electrical cord to terminal strip (3).
8. Release latch and rewind electrical cord on reel.
9. Install electrical cord bumper (1).

REPLACING THE BRUSHHOLDER (Refer to Diagram III)

1. At terminal strip (3), remove wires connecting brushes (7) to terminal strip. Record wire numbers and corresponding terminal strip terminals.
2. Remove lock nuts (8) securing brushholder (9) to reel. Remove brushholder. Remove brushes (7) from brushholder (9).
3. Install brushholder by reversing steps 1 through 3. Upon completion of installation, adjust brush-to-ring alignment by loosening screws (5) and sliding finger assembly (6) up and down.

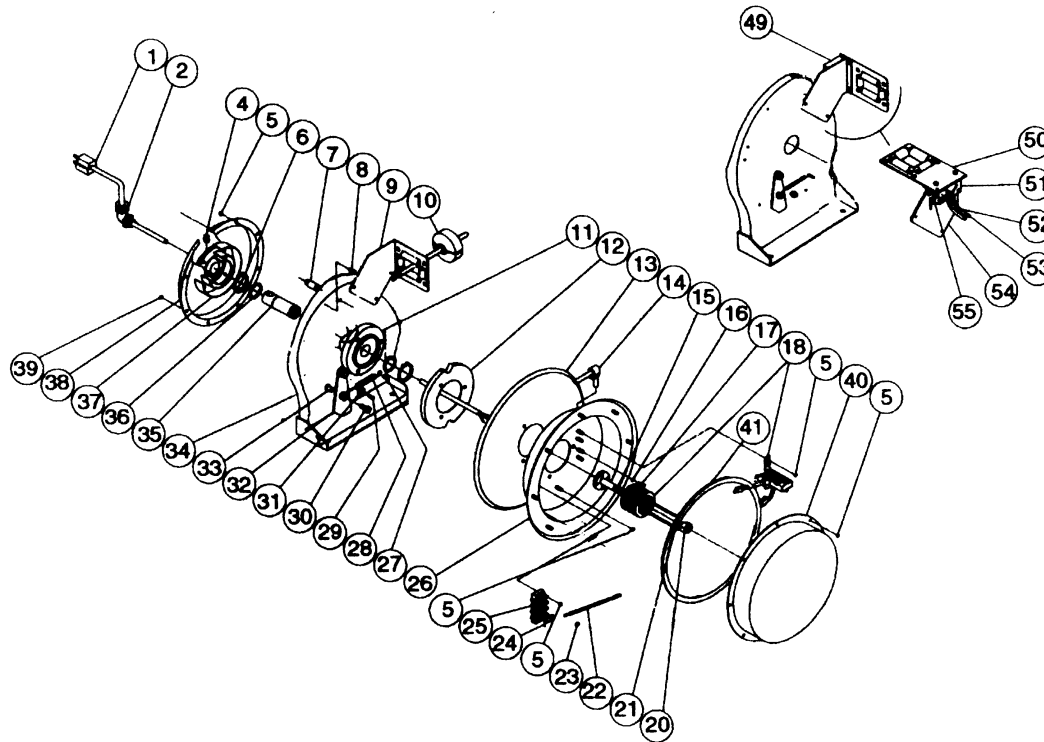
REPLACING THE BRUSHES (Refer to Diagram III)

1. At terminal strip (3), remove wires connecting brushes (7) to terminal strip. Record wire numbers and corresponding terminal strip terminals.
2. Remove lock nuts (8) securing brushholder (9) to reel. Remove brushholder. Remove brushes (7) from brushholder (9).
3. Install brushes by reversing steps 1 through 3. Upon completion of installation, adjust brush-to-ring alignment by loosening screws (5) and sliding finger assembly (6) up and down.

REPLACING THE COLLECTOR (Refer to Diagram III)

1. Remove wire nuts (10). Record wire numbers. Observe color coding.
2. At terminal strip (3), remove wires connecting brushes (7) to terminal strip. Record wire numbers and corresponding terminal strip terminals.
3. Remove lock nuts (8) securing brushholder (9) to reel. Remove brushholder.
4. Remove coupling nut (11).
5. Remove collector (12).
6. Install collector by reversing steps 1 through 5. Upon completion of installation, adjust brush-to-ring alignment by loosening screws (5) and sliding finger assembly (6) up and down.

SERIES 5000 PARTS LIST



ITEM NO.	DESCRIPTION	NO. REQ.	PART NO.	ITEM NO.	DESCRIPTION	NO. REQ.	PART NO.
1A	Pigtail, 5.5' x 16 gauge w/15A grounded plug	1	5000-6098	31	Latch Bumper	1	5000-0141
1B	Pigtail, 5.5' x 16 ga. w/fluor. ballast, w/gnd. plug	1	5000-6099	32	Latch Plate Ass'y	1	5000-0139
1C	Pigtail, 5.5' x 14 gauge w/15A grounded plug	1	5000-6100	33	Latch Bushing	1	5000-0142
1D	Pigtail, 5.5' x 12 gauge w/20A grounded plug	1	5000-6128	34	Base Ass'y	1	5000-0616
2	Wire Grip Ass'y for 16 and 14 gauge cords	1	5000-0123	35	Main Shaft	1	5000-0130
2A	Wire Grip Ass'y for 12 gauge cords	1	5000-0842	36	Spacing Washer	2	5000-0129
4	Screw, set 3/8" - 16 x 1/2" pin	1	5000-0126	37	Drive Spring Ass'y	1	5000-0617
5	Lock Nut 10-32 Hex	22	5000-0125	38	Spring Case & Hub	1	5000-0618
6	Snap Ring	2	5000-0128	39	Lock Nut 10-32 Hex	1	5000-0125
7	Spring Case Stud	1	5000-0135	40	Cover	1	5000-0622
8	Screw 10-32 x 1/2"	2	5000-0136	41	Gasket	1	5000-0621
9	Guide Arm Ass'y	1	5000-0615	49	Autoswitch Ass'y	1	5000-0607
10A	Bumper Ass'y for 16 gauge cord	1	5000-0599	50	Roller Plate Ass'y	1	5000-0608
10B	Bumper Ass'y for 14 and 12 gauge cords	1	5000-0624	51	Switch Box	1	5000-0609
11	Spring Arbor	1	5000-0145	52	Autoswitch Cord	1	5000-0610
12	Latch Cam	1	5000-0623	53	Switch	1	5000-0611
13	Disc. Sheave	1	5000-0147	54	Guide Arm	1	5000-0613
14	Strain Relief	1	5000-0124	55	Spring	1	5000-0614
15	Flange Shaft	1	5000-0150				
16	Split Lock Washer	3	5000-0600				
17	Hex Bolt 1/4 - 20	3	5000-0153				
18	Slip Ring & Brush	1	5000-0151		The following items not shown above:		
19	Cover	1	5000-0157		Ass'y single outlet w/35' x 16 gauge cord	1	5000-6127
20	Coupling Nut	1	5000-0155		Ass'y single outlet w/50' x 16 gauge cord	1	5000-6005
21	Wire Nut	1	5000-0152		Ass'y duplex outlet w/35' x 16 gauge cord	1	5000-6122
22	Grounding Cord	1	5000-0601		Ass'y duplex outlet w/50' x 16 gauge cord	1	5000-6123
23	Lock Washer #10	1	5000-0602		Ass'y duplex outlet w/35' x 14 gauge cord	1	5000-6124
24	Terminal, Connect	1	5000-0603		Ass'y duplex outlet w/50' x 14 gauge cord	1	5000-6125
25	Terminal Block Ass'y	1	5000-0149		Ass'y duplex outlet w/40' x 12 gauge cord	1	5000-6126
26	Sheave Ass'y	1	5000-0148		Ass'y incandescent light head w/35' x 16 gauge cord	1	5000-6120
27	Screw 10 - 32 x 3/8"	5	5000-0604		Ass'y incandescent light head w/50' x 16 gauge cord	1	5000-6025
28	Latch Plate Spring	1	5000-0143		Ass'y Stubby light head w/35' x 16 gauge cord	1	5000-6024
29	Screw 10 - 24 x 3/8"	1	5000-0605		Ass'y Stubby light head w/50' x 16 gauge cord	1	5000-6009
30	Screw 10 - 32 x 1"	1	5000-0140		Stubby II light head w/TT on 50' x 16 gauge cord	1	5000-6121



LIMITED ONE YEAR WARRANTY

General Manufacturing affirms its product confidence with the following warranty.

All products manufactured by General Manufacturing Inc., are warranted to be free of defects in material and workmanship for twelve (12) months from the date of shipment, except the lamp. The lamp is warranted to be operable upon delivery to user. General Manufacturing's liability shall be limited to repair or replacement of defective material within the warranty period when returned, freight prepaid, to its plant or to a service depot designated by General Manufacturing.

The warranty does not cover damage caused by accident, abuse or faulty installation. Saf-T-Lite products must be installed and maintained in compliance with the manual of instructions furnished with each reel.

GENERAL MANUFACTURING, INC.

1100 S. MORGAN ST.

BLUFFTON, IN 46714

PHONE: (260) 824-3440

FAX: (260) 824-3448

INTERNET: www.saftlite.com

E-MAIL: sales@saftlite.com