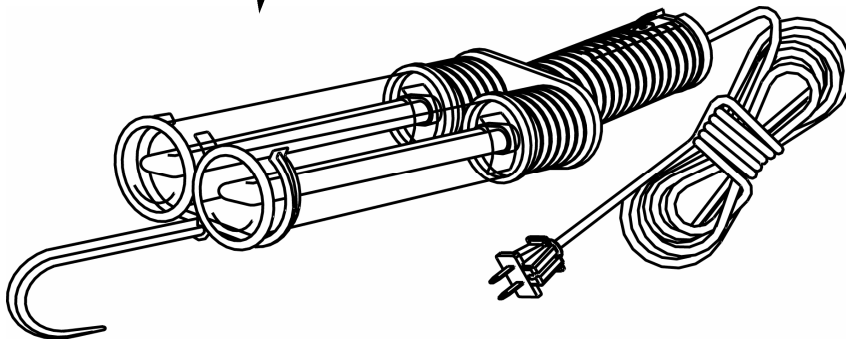


THE LINE²
without tool tap TM

**MADE IN
USA!**



**WARRANTY AND
INSTRUCTION
MANUAL**

Care and Operation of Your New Fluorescent Utility Light

Read this manual before attempting to operate or service this unit.

CAUTION

1. Inspect cord regularly for damage and replace if necessary for user safety.
2. Do not submerge.
3. When hanging reel on ceiling (see bottom of opposite page):
 - By hook: Close hook with pliers to prevent reel from falling down.
 - By Bracket Pin: With reel in place, bend end of "L" shaped pin to prevent pin from falling out.
 - Read mounting instructions carefully before installing.
4. Use in covered areas out of rain and weather.
5. CAUTION, IMPORTANT SAFETY INSTRUCTIONS - This portable lamp has a polarized plug (one blade is wider than the other) as a feature to reduce the risk of electric shock. This plug will fit in a polarized outlet only one way. If the plug does not fit fully in the outlet, reverse the plug. If it still does not fit, contact a qualified electrician. Never use an extension cord unless plug can be fully inserted. Do not alter the plug.

"ATTENTION, INSTRUCTIONS IMPORTANTES DE SECURITE

-CETTE LAMPE PORTATIVE A UNE FICHE POLARISANTE (UNE LAME EST PLUS GRANDE QUE L'AUTRE) COMME CARACTERISTIQUE POUR REDUIRE LE RISQUE DE CHOC ELECTRIQUE. CETTE FICHE N'ENGAGE Q'UNE PRISE POLARISANTE. SI LA FICHE N'ENGAGE PAS COMPLETEMENT LA PRISE, ALORS RENSER LA, SI ELLE N'ENGAGE TOUJOURS PAS, METTER VOUS EN RAPPORT AVEC UN ELECTRICIEN QUALIFIE. NE JAMAIS UTILISER AVEC UN PROLONGATEUR SI LA FICHE N'ENGAGE PAS COMPLETEMENT. NE CHANGER PAS LA FICHE."

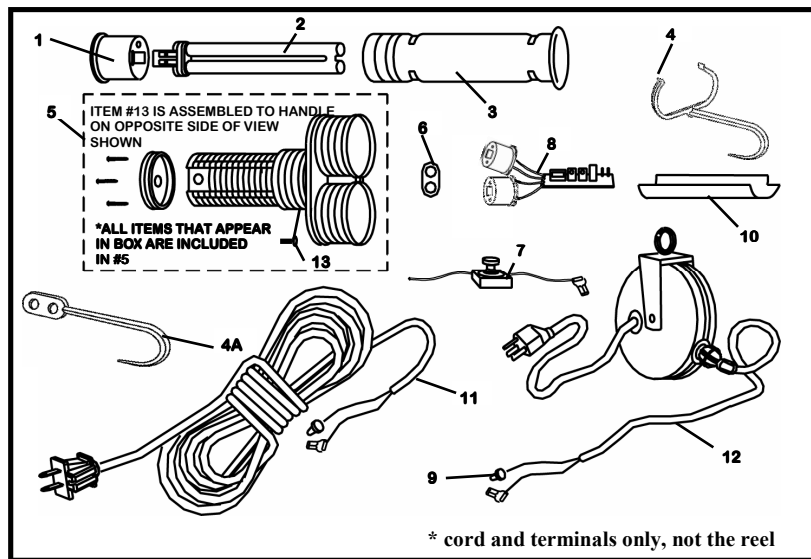
OPERATION AND MAINTENANCE

1. Plug the unit into a 120V AC outlet. The Lite 2 power supply cord is UL listed and meets OSHA standards.
2. To start, depress and release switch in handle of worklight. The lamps will flicker as the automatic starter lights the lamps. To turn off depress, and release again.
3. **Disconnect the power supply before servicing.**
4. Keep the unit free from grease and dirt by using a damp cloth with mild detergent, or waterless hand cleaner. This removes dirt from scratches in the outer tube and will provide the best light output at all times. If the tubes are damaged or badly scratched, they are easily replaced and are available as replacement parts. (see the back page for contact information)
5. Do not use solvents such as gasoline to clean unit or cord as it makes the parts brittle. Do not allow brake fluid to contact the outer tubes as it will cause permanent damage.
6. Regular cleaning of cord will prolong cord life.

RELAMPING

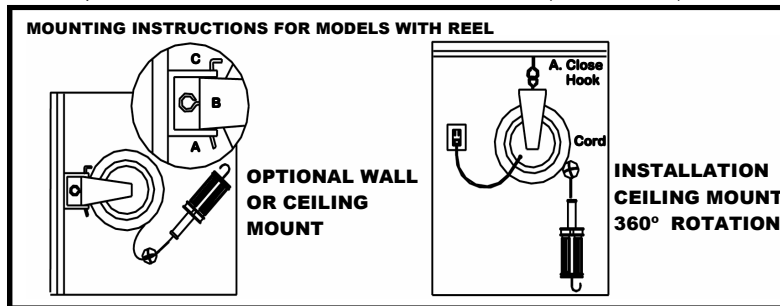
UNPLUG LIGHT BEFORE RELAMPING! Unscrew outer tube from handle of light with a 1/2 turn and remove. Pull lamp from socket and replace. **Before screwing outer tube back into handle, make sure lamp fits securely inside the outer tube lamp indentations.** **Note:** Continue to screw the outer tube into the handle until it "clicks" into place, but do not force.

The Lite 2 without tool tap



Description	Part No.	Description	Part No.
-------------	----------	-------------	----------

1. Lampholder 5000-0452 8. Ballast-(includes item 1) 5166-3590



1. Select location within 2 feet of an electrical outlet.
2. Attach U shaped bracket "A" to solid part of the wall or ceiling using screws (provided).
3. Place hanger bracket "B" inside U shaped bracket "A" lining up small holes in brackets.
4. Insert locking pin "C" through lined-up holes. Be sure to bend the end of locking pin as shown.
1. Select location within 2 feet of an electrical outlet.
2. Screw the hanger hook securely into the ceiling. Hanger hook must screw into wood frame behind drywall.
3. Hang reel on hook.
4. Close hook with pliers to prevent reel from coming off. Refer to point "A".
5. Adjust cord stop so light or outlet hangs at desired length when cord is retracted.



90 Day Warranty

General Manufacturing Inc. warrants to the purchaser of this new light that it was thoroughly tested and inspected and found to be in perfect working order before leaving our factory. If within 90 days from the date of purchase, any part of this worklight proves to be defective in material or workmanship, such defective part will be repaired or replaced (company option) free of charge, at our factory. The company's liability in all events is limited to the purchase price paid.

The warranty does not apply to the fluorescent lamp nor does it apply to damage, alteration, misuse or abuse not attributed to General Manufacturing, Inc., its representatives, dealers or their employees. This warranty does not apply if the product is mishandled or operated at a voltage exceeding, that shown on the reflector.

General Manufacturing, Inc. has made a diligent effort to illustrate and describe the products in its literature accurately, however such illustrations and descriptions are for the sole purpose of identification and do not express or imply a warranty that the products will necessarily conform to the illustrations or descriptions.

If this Worklight malfunctions or is in need of repair, send to:

**General Manufacturing Inc.
1100 South Morgan Street
Bluffton, IN 46714**

**Phone: 260-824-3440
Fax: 260-824-3448**



MADE IN USA!