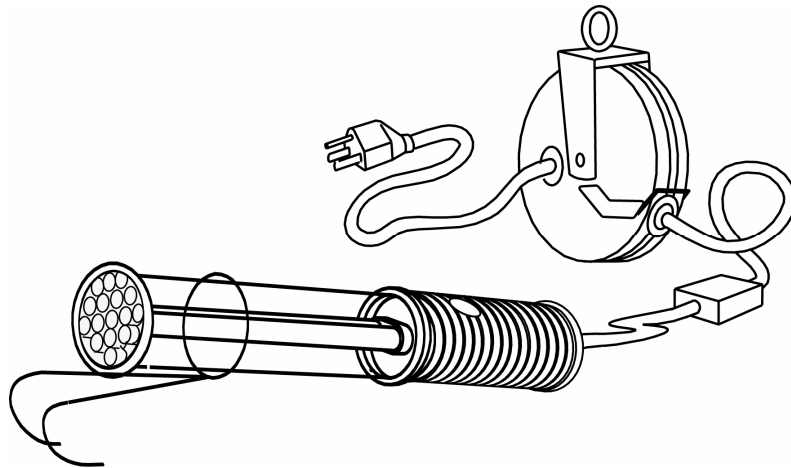


SANITONE®



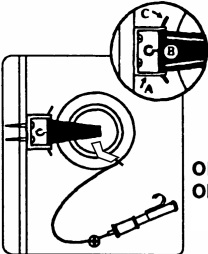
STUBBY II LED
COMBO REEL LIGHT
WARRANTY AND
INSTRUCTION MANUAL

Care & Operation of your New Stubby II LED Combo Reel Light

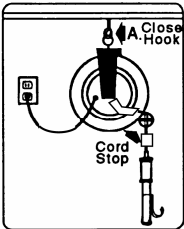
CAUTION

1. Inspect cord regularly for damage and replace if necessary for user safety.
2. Do not submerge.
3. When hanging reel models on ceiling:
 - By Hook: Close hook with pliers to prevent reel from coming down.
 - By Bracket Pin: With reel in place, bend end of "L" shaped pin to prevent pin falling out.
 - Read mounting instructions carefully before installing.
4. Use in covered areas out of rain and weather.

MOUNTING INSTRUCTIONS FOR MODELS WITH REEL



OPTIONAL WALL OR CEILING MOUNT



**INSTALLATION CEILING MOUNT
360° ROTATION**

1. Select location within 2 feet of an electrical outlet.
2. Attach U shaped bracket "A" to solid part of the wall or ceiling using screws (provided).
3. Place hanger bracket "B" inside U shaped bracket "A" lining up small holes in brackets.
4. Insert locking pin "C" through lined-up holes. Be sure to bend the end of locking pin as shown.

1. Select location within 2 feet of an electrical outlet.
2. Screw the hanger hook securely into the ceiling. Hook must screw into wood frame behind drywall.
3. Hang reel on hook.
4. Close hook with pliers to prevent reel from coming off. Refer to point "A".
5. Adjust cord stop so light or outlet hangs at desired length when cord is retracted.

OPERATION & MAINTENANCE

1. Plug the unit into a 120 VAC outlet. The power supply cord is UL listed and meets OSHA standards.
2. Disconnect the power supply before servicing.
3. Keep the unit free from grease and dirt by using a damp cloth with mild detergent or waterless hand cleaner. This removes dirt and scratches on outer tube and will provide the best light output at all times. If tube is damaged or badly scratched, it is easily replaced and is available as a replacement part.
4. Do not use solvents such as gasoline to clean unit or cord as it makes the parts brittle. Do not allow brake fluid to contact the outer tube as it will cause permanent damage.

RELAMPING INSTRUCTIONS

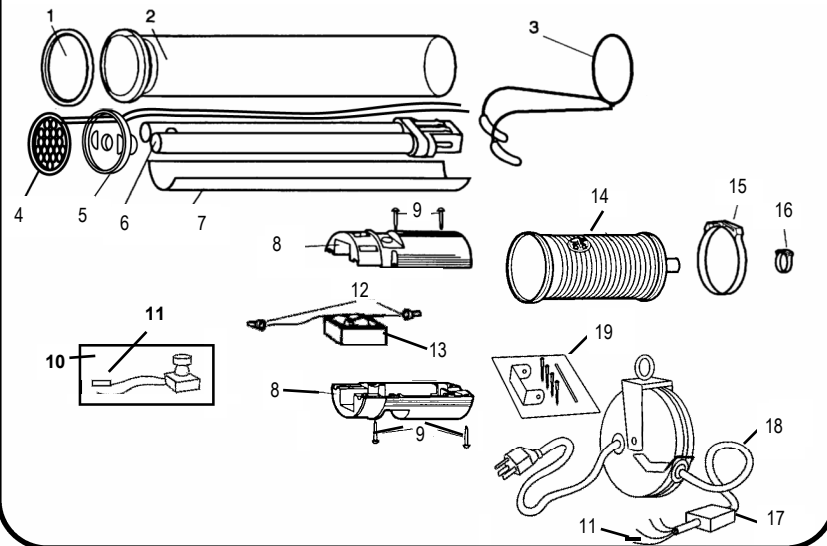
- Step 1) Disconnect the power supply (unplug).
- Step 2) Slide cord end cap down.
- Step 3) Remove screws and slide outer tube assembly off of light fixture. Care should be taken as the tube is removed so that the LED board (item #4) located above the lamp cushion (item #5) does not bind or hang up. Damage to the wiring can occur if tube is forced.
- Step 4) Remove LED board and upper lamp cushion from top of lamp
- Step 5) Pull lamp out of socket and replace. Put lamp cushion and LED board back on top of lamp so wires to LED board will be concealed behind lamp when assembled.
- Step 6) Carefully slide light assembly back into tube. Take care not to damage to LED board. Line up screw holes in the tube and lamp holder. Install screws.

RELAMPING INSTRUCTIONS (continued)

Step 7) Slide end cap up the cord into position on the light assembly. Assembly is complete.

Note: Your worklight is equipped with a Phillips brand PLS-13, 13 watt lamp of 4100 degree K color (cool white). It has gone through an additional process to make it an "improved impact lamp". We recommend you use **ONLY** original replacement parts.

Parts List - Stubby II LED Combo Reel light



Item	Part No.	Description	Item	Part No.	Description
1	5000-0733	Bumper, Black	9	5000-0748	Screw (incl. w/ no. 8)
2	5000-0734	Welded Tube Assy (incl. no. 5)	10	5000-0477	Switch, Momentary
3	5000-0461	Hook, Twin Spring Steel (w/tips)	11	5000-0050	Pin Terminal, Female
4	5000-0735	LED Board, 20 LED White	12	5000-0400	Connector, clsd end insulated
5	5000-0413	Lamp Cushion (incl. w/ no..2)	13	5166-3516	Ballast, 13 W
6	5000-2003	Lamp, PL-S 13W/41 Rough Serviced	14	5000-0741	End cap, black large
7	5000-0736	Reflector	15	5000-0479	Waterlite Clamp, large
8	5000-0425	Lamp Socket, Large 18/4 Cord (incl. no. 9)	16	5000-0480	Waterlite Clamp, small
			17	5000-0742	LED Driver & Enclosure
			18	5000-6173	40' 18/2 & 18/4 Cordset (incl no.17)
			19	5000-0654	Reel Mnt Hardware Pkg

CAUTION, IMPORTANT SAFETY INSTRUCTIONS - This portable lamp has a polarized plug (one blade is wider than the other) as a feature to reduce the risk of electric shock. This plug will fit in a polarized outlet only one way. If the plug does not fit fully in the outlet, reverse the plug. If it still does not fit, contact a qualified electrician. Never use an extension cord unless plug can be fully inserted. Do not alter the plug.

“ATTENTION, INSTRUCTIONS IMPORTANTES DE SÉCURITÉ Cette lampe portative a une fiche polarisante (une lame est plus grande que l' autre) comme caractéristique pour reduire le risque de choc électrique cette fiche n' engage q' une prise polarisante. Si la fiche n' engage pas complètement la prise, alors renverser la, si elle n' engage toujours pas, metter vous en rapport avec un electricien qualifié. Ne jamais utiliser avec un prolongateur si la fiche n' engage pas complètement . Ne changer pas la fiche.”

1 Year Warranty

This worklight was thoroughly tested and inspected and found to be in perfect working order before leaving our factory. If within 90 days from the date of purchase, any part of this unit proves to be defective in material or workmanship, such defective parts will be repaired or replaced (company option) free of charge. The company's liability in all events is limited to the purchase price paid.

The warranty does not apply to glass breakage on lamps. It does warrant the individual LED's for one year against defects in material or workmanship. The warranty does not apply to damage from power surges, connection to wrong power source, alteration, misuse or abuse not attributed to the manufacturer, representatives, dealers or their employees.

Illustrations and descriptions are for the sole purpose of identification and do not express or imply a warranty that the products will necessarily conform to the illustrations or descriptions.

When returning product for warranty repair , please provide : from whom purchased, date of purchase, attached receipt or invoice number.

KEEP THIS MANUAL

If this Worklight malfunctions or is in need of repairs. send to:
GENERAL MANUFACTURING, INC.
1100 S. MORGAN ST.
BLUFFTON, IN 4674
PHONE: (260) 824-3440
FAX: (260) 824-3448

DO NOT return to place of purchase, they are not authorized to accept used or damaged units.