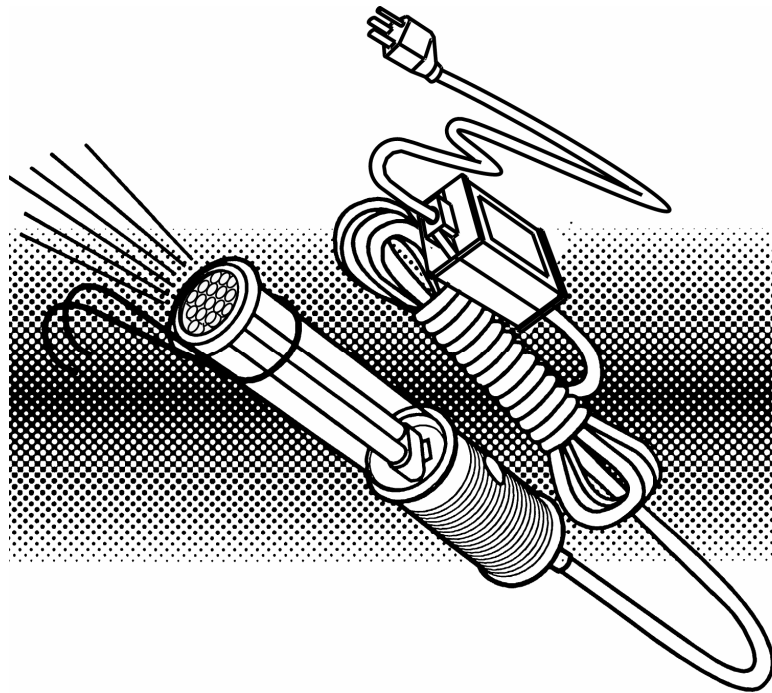


SAN/LINE®



**STUBBY II®
LED COMBO LIGHT™**

**WARRANTY AND
INSTRUCTION MANUAL**

Care & Operation of your New Stubby II LED Combo Cord Light

CAUTION

1. Inspect cord regularly for damage and replace if necessary for user safety.
 2. Do not submerge.
 3. Use in covered areas out of rain and weather.
-

OPERATION & MAINTENANCE

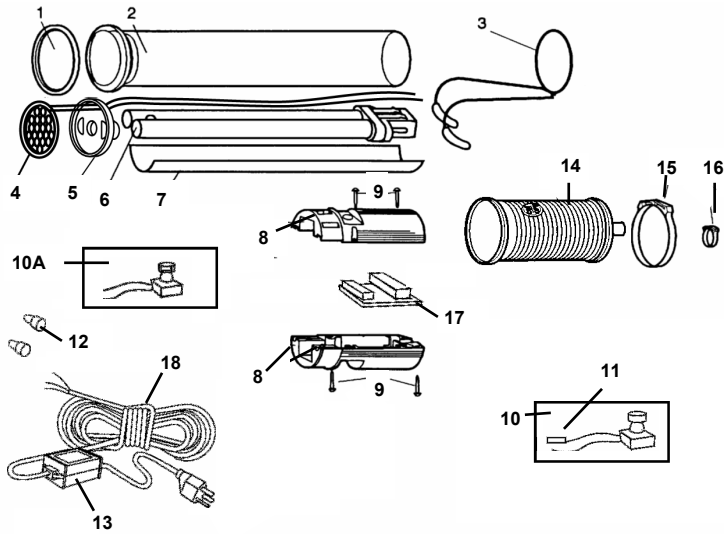
1. Plug the unit into a 120 VAC outlet. The power supply cord is UL listed and meets OSHA requirements.
 2. Disconnect the power supply before servicing.
 3. Keep the unit free from grease and dirt by using a damp cloth with mild detergent or waterless hand cleaner. This removes dirt and scratches on outer tube and will provide the best light output at all times. If tube is damaged or badly scratched, it is easily replaced and is available as a replacement part.
 4. Do not use solvents such as gasoline to clean unit or cord as it makes the parts brittle. Do not allow brake fluid to contact the outer tube as it will cause permanent damage.
-

RELAMPING INSTRUCTIONS

- Step 1) Disconnect the power supply (unplug).
- Step 2) Slide cord end cap down.
- Step 3) Remove screws and slide outer tube assembly off fixture. Care should be taken as the tube is removed so that the LED board (item #4) located above the lamp cushion (item #5) does not bind or hang up. Damage to the wiring can occur if tube is forced.
- Step 4) Remove LED board and upper lamp cushion from top of lamp.
- Step 5) Pull lamp out of socket and replace. Put lamp cushion and LED board back on top of lamp so wires to LED board will be concealed behind lamp when assembled.
- Step 6) Carefully slide light assembly back into tube. Take care not to damage wires to LED board. Line up screw holes in the tube and lamp holder. Install screws.
- Step 7) Slide end cap up the cord into position on the light assembly. Assembly is complete.

Note: Your worklight is equipped with a Phillips brand PLS-13, 13 watt lamp of 4100 degree K color (cool white). It has gone through an additional process to make it an "improved impact lamp". We recommend you use **ONLY** original replacement parts.

Parts List - Stubby II LED Combo Worklight



10 5000-0477 Switch Assy.

Item	Part No.	Description	Item	Part No.	Description
1	5000-0733	Bumper, Black			
2	5000-0734	Welded Tube Assy. (includes no. 5)			
3	5000-0461	Hook, Twin Spring Steel (with tips)			
4	5000-0735	LED Board, 20 LED White			
5	5000-0413	Lamp Cushion (included w/ no.2)			
6	5000-2003	Lamp PL-13W/41 Rough Serviced			
7	5000-0736	Reflector			
8	5000-0416	Lamp Socket, Med 18/3 Cord (includes no. 9)			
	5000-0425	Lamp Socket, Lrg 18/4 Cord (includes no. 9)			
9	5000-0748	Screw (incl. no.8 & no.13)			
					(includes no. 11)
	10A	Switch, Momentary (to LED)			

CAUTION, IMPORTANT SAFETY INSTRUCTIONS - This portable lamp has a polarized plug (one blade is wider than the other) as a feature to reduce the risk of electric shock. This plug will fit in a polarized outlet only one way. If the plug does not fit fully in the outlet, reverse the plug. If it still does not fit, contact a qualified electrician. Never use an extension cord unless plug can be fully inserted. Do not alter the plug.

“ATTENTION, INSTRUCTIONS IMPORTANTES DE SÉCURITÉ Cette lampe portative a une fiche polarisante (une lame est plus grande que l' autre) comme caractéristique pour reduire le risque de choc électrique cette fiche n' engage q' une prise polarisante. Si la fiche n' engage pas complètement la prise, alors renverser la, si elle n' engage toujours pas, metter vous en rapport avec un electricien qualifié. Ne jamais utiliser avec un prolongateur si la fiche n' engage pas complètement . Ne changer pas la fiche.”

1 Year Warranty

This worklight was thoroughly tested and inspected and found to be in perfect working order before leaving our factory. If within 90 days from the date of purchase, any part of this unit proves to be defective in material or workmanship, such defective parts will be repaired or replaced (company option) free of charge. The company's liability in all events is limited to the purchase price paid.

The warranty does not apply to glass breakage on lamps. It does warrant the individual LED's for one year against defects in material or workmanship. The warranty does not apply to damage from power surges, connection to wrong power source, alteration, misuse or abuse not attributed to the manufacturer, representatives, dealers or their employees.

Illustrations and descriptions are for the sole purpose of identification and do not express or imply a warranty that the products will necessarily conform to the illustrations or descriptions.

When returning product for warranty repair , please provide : from whom purchased, date of purchase, attached receipt or invoice number.

KEEP THIS MANUAL

If this Worklight malfunctions or is in need of repairs. send to:
GENERAL MANUFACTURING, INC.
1100 S. MORGAN ST.
BLUFFTON, IN 4674
PHONE: (260) 824-3440
FAX: (260) 824-3448

DO NOT return to place of purchase, they are not authorized to accept used or damaged units.