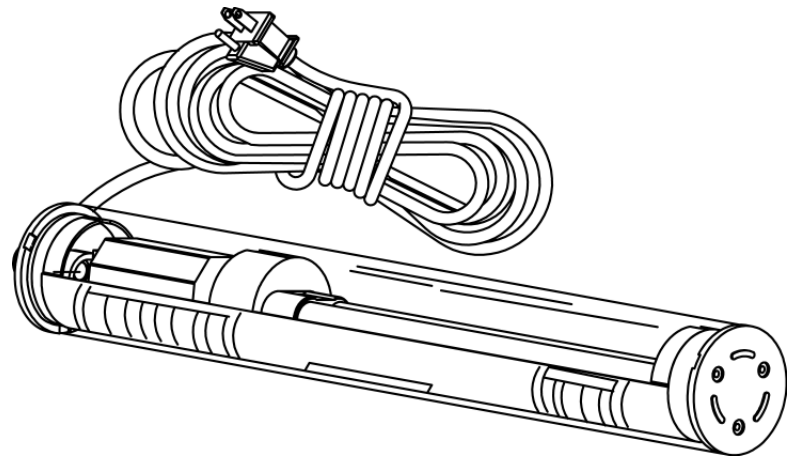


NOTES

SAFELINE®



**WARRANTY AND
INSTRUCTION MANUAL
FOR 36 WATT 120V PLL
INDUSTRIAL LITE
(less power beyond)**

WARNING: When using outdoor use portable luminaires, basic safety precautions should always be followed to reduce the risk of fire, electric shock, and personal injury, including the following:

- (a) Use only three-wire outdoor extension cords that have three-prong grounding plugs and grounding receptacles that accept the appliance's plug.
- (b) Ground Fault Circuit Interrupter (GFCI) protection is to be provided on the circuit(s) or outlet(s) to be used for the wet location portable luminaire. Receptacles are available having built-in GFCI protection and are able to be used for this measure of safety.
- (c) Use only with an extension cord for outdoor use, such as an extension cord of cord type SW, SW-A, SOW, SOW-A, STW, STW-A, STOW, STOW-A, SJW, SJW-A, SJOW, SJOW-A, SJTW, SJTW-A, OR SJTOW, SJTOW-A.

Read All Instructions

One Year Warranty

General Manufacturing Inc. warrants to the purchaser of this new light that it was thoroughly tested and inspected and found to be in perfect working order before leaving our factory. If within one year from the date of purchase, any part of this worklight proves to be defective in material or workmanship, such defective part will be repaired or replaced (company option) free of charge, at our factory. The company's liability in all events is limited to the purchase price paid.

The warranty does not apply to the fluorescent lamp nor does it apply to damage, alteration, misuse or abuse not attributed to General Manufacturing Inc., its representatives, dealers or their employees. This warranty does not apply if the product is mishandled or operated at a voltage exceeding that shown on the product.

General Manufacturing Inc. has made a diligent effort to illustrate and describe the products in its literature accurately, however such illustrations and descriptions are for the sole purpose of identification and do not express or imply a warranty that the products will necessarily conform to the illustrations or descriptions.

When returning product for warranty repair, please provide: a brief description of your problem and your return address.

GENERAL MANUFACTURING, INC.

1100 S. MORGAN ST.
BLUFFTON, IN 4674
PHONE: (260) 824-3440
FAX: (260) 824-3448

Care & Operation of your New 36W 120V PLL Industrial Lite

CAUTION

1. Inspect cord regularly for damage and replace if necessary for user safety.
2. Do not submerge fixture in liquids.
3. Do not use in areas requiring explosion-proof fixtures.
4. Disconnect light from power source before relamping.
5. Do not hang fixture by electrical cord. Use manufacturer's hooks or mounting brackets.
6. Take care not to bend fixture excessively - damage may result to lamp.
7. Power supply cord is UL listed and meets OSHA requirements for grounding of hand held tools.
8. Do not drop this fixture as damage may result to the lamp or the outer tube.

OPERATION & MAINTENANCE

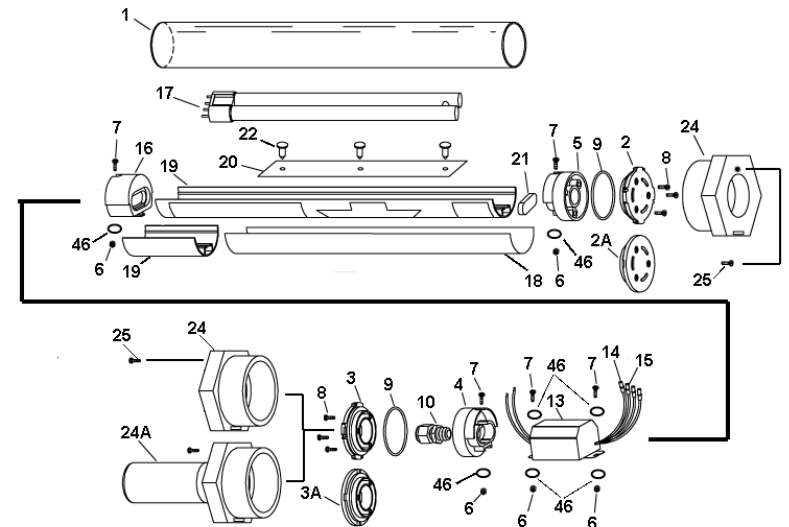
1. Plug the unit into a 120 VAC outlet. The power supply cord is UL listed and meets OSHA standards.
2. Disconnect the power supply before servicing.
3. Keep the unit free from grease and dirt by using a damp cloth with mild detergent or waterless hand cleaner.
4. Do not use solvents such as gasoline to clean unit or cord as it makes the parts brittle.

RELAMPING INSTRUCTIONS

Note: for relamping instructions, refer to label located inside the outer tube of the fixture. Note: When ordering replacement parts, please furnish light model number located on label of light.

Note: We recommend you use **ONLY** original replacement parts.

Parts - 36W 120V PLL Industrial Lite



Parts List - 36W 120V PLL Industrial Lite

Item	Part No.	Description	Item	Part No.	Description
1	5000-0223	Outer tube tough shield	24	5000-0275	End cap, yellow
	5000-0589	Outer tube chem shield	24A	5000-0472	End cap handle, yellow
	5000-0558	Outer tube chip shield (glass) includes 2 rubber spacers	25	5000-0748	End cap locking screw
	5000-1013	Outer tube tough shld (inline ballst)	26	5000-0276	Switch housing
	5000-0846	Outer tube chem shld (inline ballst)	27	5000-0277	Switch plate, 2 pc
	5000-1014	Outer tube chip shld (inline ballst)	28	5000-0278	Switch, on/off
*2	5000-0294	Endplug, closed, locking	29	5000-0563	Switch, rubber boot
2A	5000-0230	Endplug, closed	30	5000-0280	Mounting bracket
*3	5000-0295	Endplug, cord, locking		5000-1175	Mounting bracket - chip shield
3A	5000-0231	Endplug, cord	31	5000-0282	Plastic hook
4	5000-0232	Innerplug, cord	32	5000-0283	Spacer, hook bracket
5	5000-0233	Innerplug, closed end	33	5000-0284	Clamp hook bracket
6	5000-0234	10-24 hex nut	34	5000-0285	10 x 24 x 1 1/4 SS mach screw
7	5000-0235	10-24 x 1/2" pan head screw	35	5000-0286	10-24 SS hex nut
8	5000-1265	10-32 x 1-1/4" SS pan head screw	36	5000-0289	Hook bracket
9	5000-0237	O-ring 1-7/8" ID	37	5000-0474	Inline ballast box w/ screws **
10	5000-0238	Strain relief	38	5000-0242	Inline ballast
11	5000-0239	Ring terminal #10 stud	39	5000-0291	Pop rivet
12	5000-0240	Closed end connector	40	5000-1049	82 lb. Magnet
13	5166-3675	Ballast LE136R120NPF	5000-1047	110 lb. Magnet	
14	5000-0244	Sleeve terminal	41	5000-0292	Washer, #10
15	5000-0245	Terminal, lamp pin	42	5000-1077	Magnet mnt. 82# assy.
16	5000-0246	Socket - PLL lamp	5000-1078	Magnet mnt. 110# assy.	
17	5000-2079	Lamp, twin tube	5000-1222	Magnet mnt. 82# assy., glass	
18	5000-1003	Plastic reflector, STL	5000-1223	Magnet mnt. 110# assy., glass	
19	5000-0251	Aluminum backbone (with labels)	43	5000-0591	Inline switch & housing assy. **
	5000-1023	Aluminum backbone (ballast inline)	44	5000-1055	Vertical hook assy. **
20	5000-0254	Aluminum reflector, white	45	5000-1056	Horizontal hook assembly **
21	5000-0256	Lamp, cushion - PLL	46	5000-1156	#10 Star washer
22	5000-0257	Retainer button, reflector	47	5000-1062	Bracket Assy. for plastic tubes
23	5000-6020	25' 16/3 cordset. yellow	48	5000-1088	Bracket Assy. for glass tubes
	5000-6015	25' 16/3 cordset. black	49	5000-1125	Hook Assy. #2, horizontal
			50	5000-1293	6-32 x 3/4 ss mach. Screw
			51	5000-1294	10-24 x 1 ss mach. Screw
			52	5000-1295	6-32 ss hex locknut
			53	5000-1296	Hook bracket #2

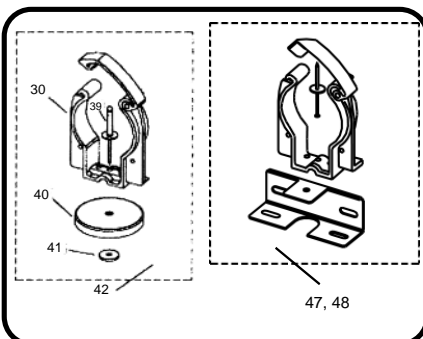
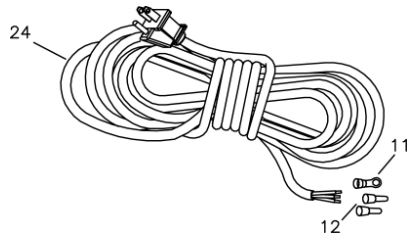
Note: other lengths are available for item #23.

*To be used with item #24 & 24A

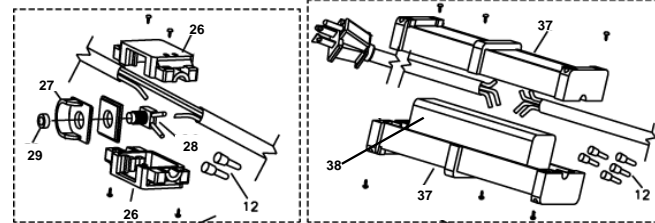
** Options (see diagrams on page 5)
Magnet Mount assy lower right

***Note: For the Inline Ballast Box
Option, see item #1 for correct outer tube;
and see item #19 for correct backbone.

Parts - 36W 120V PLL Industrial Lite (cont.)

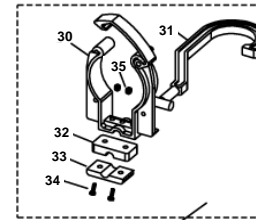


36W 120V PLL Parts - Options

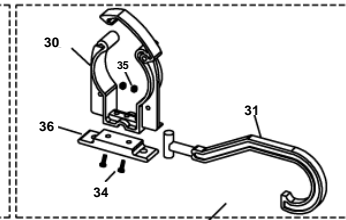


INLINE SWITCH AND HOUSING ASSEMBLY

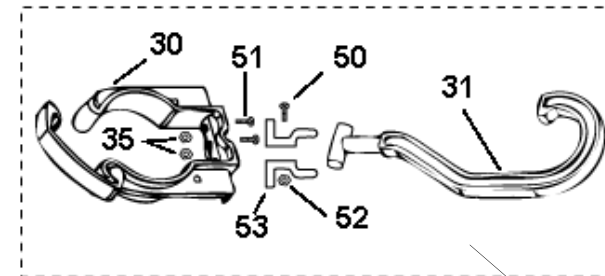
INLINE BALLAST BOX ASSEMBLY



VERTICAL HOOK ASSEMBLY



HORIZONTAL HOOK ASSEMBLY



HOOK ASSY. #2, HANGS LITE HORIZONTAL

49

Discontinued Parts for Models with 120V LA155P120HP Ballast

Item No.	Part No.	Description
1	5000-1398	Outer tube tough shield
	5000-1396	Outer tube Chem Shield
	5000-1397	Outer tube chip shield (glass)
13	5166-3664	120V LA155P120HP ballast
19	5000-1402	Aluminum backbone with labels