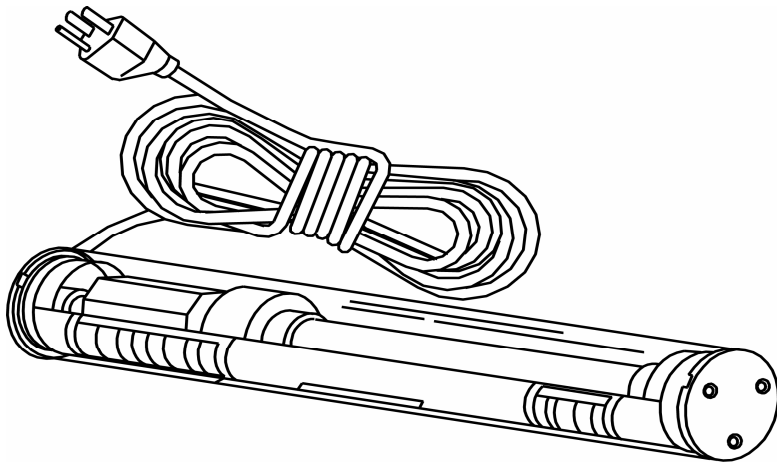


SAFELINE®



WARRANTY AND
INSTRUCTION MANUAL
FOR 25 WATT 120V FO25T8
INDUSTRIAL LIGHT
(LESS POWER BEYOND)

Care & Operation of your New 25W 120V FO25T8 Industrial Lite

CAUTION

1. Inspect cord regularly for damage and replace if necessary for user safety.
2. Do not submerge fixture in liquids.
3. Do not use in areas requiring explosion-proof fixtures.
4. Disconnect light from power source before relamping.
5. Do not hang fixture by electrical cord. Use manufacturer's hooks or mounting brackets.
6. Take care not to bend fixture excessively - damage may result to lamp.
7. Power supply cord is UL listed and meets OSHA requirements for grounding of hand held tools.
8. Do not drop this fixture as damage may result to the lamp or the outer tube.

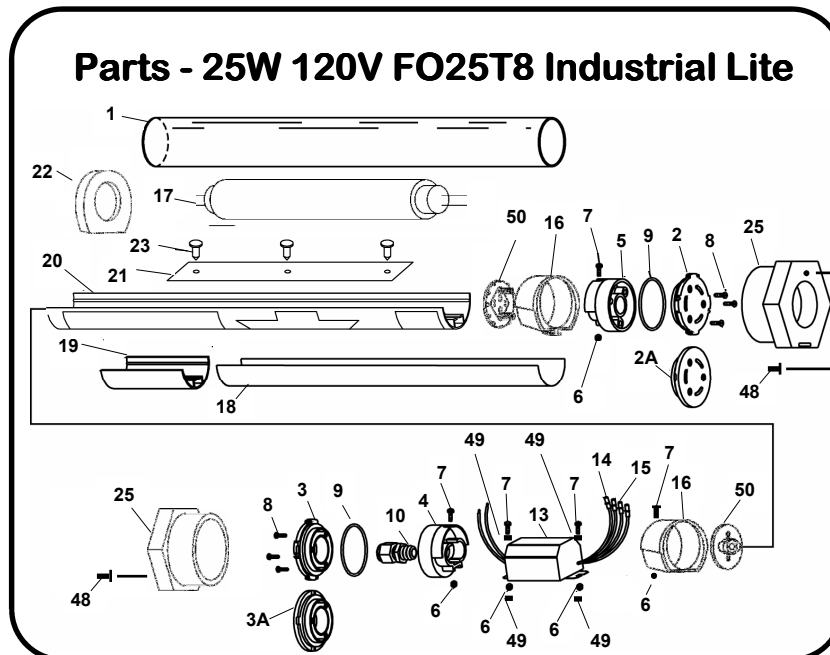
OPERATION & MAINTENANCE

1. Plug the unit into a 120 VAC outlet. The power supply cord is UL listed and meets OSHA standards.
2. Disconnect the power supply before servicing.
3. Keep the unit free from grease and dirt by using a damp cloth with mild detergent or waterless hand cleaner.
4. Do not use solvents such as gasoline to clean unit or cord as it makes the parts brittle.

RELAMPING INSTRUCTIONS

Note: for relamping instructions, refer to label located inside the outer tube of the lamp. Note: When ordering replacement parts, please furnish light model number located on label of light.

Note: We recommend you use **ONLY** original replacement parts.



Parts List - 25W 120V FO25T8 Industrial Lite

Item	Part No.	Description	Item	Part No.	Description
1	5000-0566	Outer tube tough shield	24	5000-6020	25' 16/3 cordset. yellow
	5000-0568	Outer tube chem shield		5000-6015	25' 16/3 cordset. black
	5000-0887	Outer tube chip shield	25	5000-0275	End cap, yellow
*2	5000-0294	Endplug, closed, locking	26	5000-0472	End cap handle, yellow
2A	5000-0230	Endplug, closed	27	5000-0276	Switch housing
*3	5000-0295	Endplug, cord, locking	28	5000-0277	Switch plate, 2 pc
3A	5000-0231	Endplug, cord	29	5000-0278	Switch, on/off
4	5000-0232	Innerplug, cord	30	5000-0563	Switch, rubber boot
5	5000-0233	Innerplug, closed end	31	5000-0280	Mounting bracket
6	5000-0234	10-24 hex nut		5000-1088	Mounting bracket - chip shield
7	5000-0235	10-24 x 1/2" pan head screw	32	5000-0282	Plastic hook
8	5000-0236	10-32 x 3/4" SS pan head screw	33	5000-0283	Spacer, hook bracket
9	5000-0237	O-ring 1-7/8" ID	34	5000-0284	Clamp hook bracket
10	5000-0238	Strain relief	35	5000-0285	10 x 24 x 1 1/4 SS mach screw
11	5000-0239	Ring terminal #10 stud	36	5000-0286	10-24 SS hex nut
12	5000-0240	Closed end connector	37	5000-0289	Hook bracket
13	5166-3555	Ballast	41	5000-0291	Pop rivet
14	5000-0244	Sleeve terminal	42	5000-1049	82 lb. Magnet
15	5000-0245	Terminal, lamp pin		5000-1047	110 lb. Magnet
16	5000-0311	Socket - FO25T8 lamp	43	5000-0292	Washer, #10
17	5000-2011	Lamp, FO25T8	44	5000-1077	Magnet mount 82 lb., assy. **
18	5000-0247	Plastic reflector, STL		5000-1078	Magnet mount 110 lb., assy. **
19	5000-0249	Ballast mount	45	5000-0591	Inline switch & housing assy. **
20	5000-0570	Aluminum backbone (ballast in hd)	46	5000-1056	Vertical hook assy. **
21	5000-0572	Aluminum reflector, white	47	5000-1055	Horizontal hook assembly **
22	5000-0576	Impact Ring	48	5000-0748	End cap locking screw
23	5000-0257	Retainer button, reflector	49	5000-1156	#10 Star washer
			50	5000-0565	2-Pin Lamp Holder

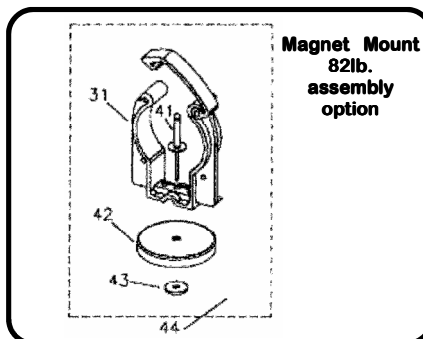
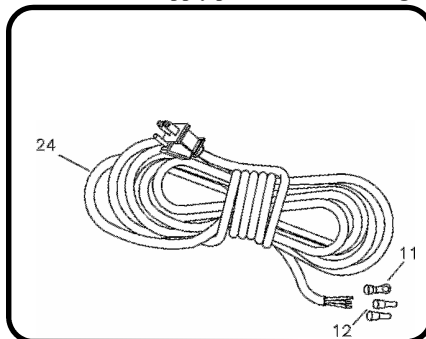
Note: other lengths are available for item #24.

*To be used with item #25 & 26

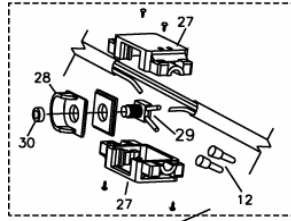
*Please supply part # when ordering.

** Options (see diagram on page 4)

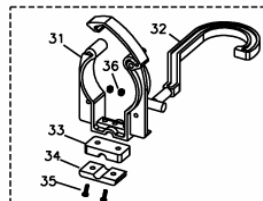
Magnet Mount assy shown below



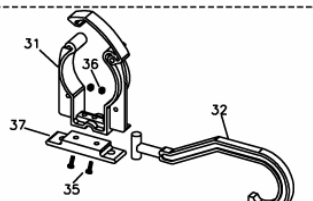
25W 120V FO25T8 Parts - Options



45
INLINE SWITCH AND HOUSING ASSEMBLY



46
VERTICAL HOOK ASSEMBLY



47
HORIZONTAL HOOK ASSEMBLY

One Year Warranty

General Manufacturing Inc. warrants to the purchaser of this new light that it was thoroughly tested and inspected and found to be in perfect working order before leaving our factory. If within one year from the date of purchase, any part of this worklight proves to be defective in material or workmanship, such defective part will be repaired or replaced (company option) free of charge, at our factory. The company's liability in all events is limited to the purchase price paid.

The warranty does not apply to the fluorescent lamp nor does it apply to damage, alteration, misuse or abuse not attributed to General Manufacturing Inc., its representatives, dealers or their employees. This warranty does not apply if the product is mishandled or operated at a voltage exceeding, that shown on the product.

General Manufacturing Inc. has made a diligent effort to illustrate and describe the products in its literature accurately, however such illustrations and descriptions are for the sole purpose of identification and do not express or imply a warranty that the products will necessarily conform to the illustrations or descriptions.

When returning product for warranty repair, please provide: a brief description of your problem and your return address.

GENERAL MANUFACTURING, INC.

1100 S. MORGAN ST.
BLUFFTON, IN 46714
PHONE: (260) 824-3440
FAX: (260) 824-3448